

MODEL: **CaterTap WRCT-500ML3**

# CATERTAP

CaterTap 1/2-inch Deck Mixer with 3-inch Levers and Swivel spout

**Mount:** Deck mounted  
**Water feed:** Twin  
**Controls:** 3-inch lever  
**Connections:** 1/2-inch  
**Tap type:** Mixer  
**Accreditation:** WRAS

**FEATURES & BENEFITS**

- WRAS approved.
- High-grade chrome-finished.
- Low maintenance and long lasting.
- Manufactured to British Standards.
- Robust commercial tap.
- Backed by Mechline's standard 1 year warranty.

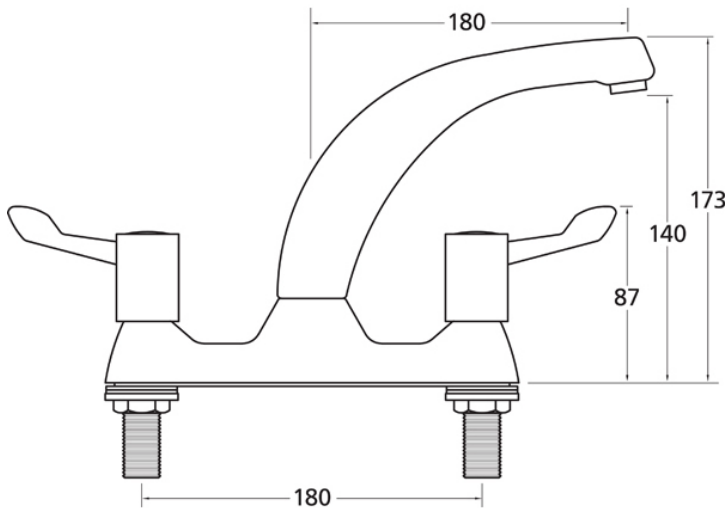
**TECHNICAL INFO**

- Connection(s): 1/2-inch.
- Worktop hole: 25mm.
- Recommended static water pressure range: 1-5 bar.
- Flow rate: 12.67 lpm tested at 3 bar pressure



**MAINTENANCE & CLEANING**

Cleaning chrome: Do not use abrasive, chlorine or acid-based cleaning products. Avoid contact with concentrated bleach. Clean with soapy water using a cloth or sponge.



Dimensions are in millimeters. If a Cad file is required please visit [www.mechline.com](http://www.mechline.com).



MECHLINE DEVELOPMENTS LIMITED  
 Tel: +44 (0)1908 261511 | Email: [info@mechline.com](mailto:info@mechline.com) | Web: [www.mechline.com](http://www.mechline.com)