

MODEL:

BaSix WS6-KVS



BASIX

BaSix Hand Wash Station. 'Push-Front', Hands-Free operation. Includes swivel spout, M-MX91 manual mixer, water hose and tap hole stopper

Basin range: WS6

Controls: Hands-free 'Push Front'

FEATURES & BENEFITS

- Range of hygienic hand washing solutions.
- Helps operations meet their requirement to provide hand-washing stations on site.
- Good and safe habits are more easily followed and enforced.

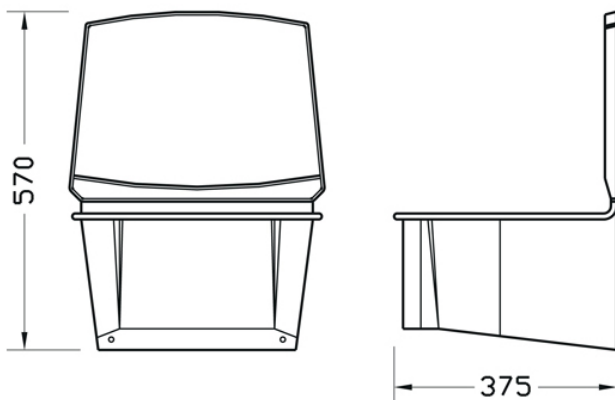
TECHNICAL INFO

- Dimensions: O/D: 420 x 375 x 570 Bowl: 360 x 270 x 100 deep



MAINTENANCE & CLEANING

Cleaning chrome: Do not use abrasive, chlorine or acid-based cleaning products. Avoid contact with concentrated bleach. Clean with soapy water using a cloth or sponge.



Dimensions are in millimeters. If a Cad file is required please visit www.mechline.com.



MECHLINE DEVELOPMENTS LIMITED

Tel: +44 (0)1908 261511 | Email: info@mechline.com | Web: www.mechline.com