

MODEL:

**BaSix WS3-NT4**



# BASIX

BaSix Hand Wash Station. Battery-Operated, Hands-Free operation. Includes Delabie Tempomatic 4 tap, M-MX91 manual mixer, water hose & tap hole stopper

**Basin range:** WS3  
**Cont:** Battery operated  
**Tap type:** Tempomatic 4  
**Accreditation:** WRAS

### FEATURES & BENEFITS

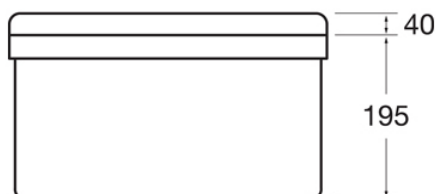
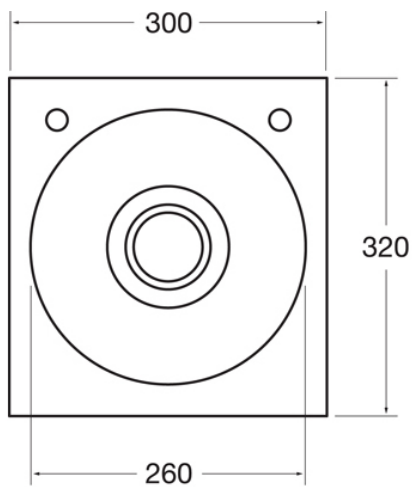
- Range of hygienic hand washing solutions.
- Helps operations meet their requirement to provide hand-washing stations on site.
- Good and safe habits are more easily followed and enforced.
- 90% water saving with a Delabie hands free tap.

### TECHNICAL INFO

- Dimensions: O/D: 300 x 320 x 195mm Bowl: 260 dia x 150mm deep

### MAINTENANCE & CLEANING

Cleaning chrome: Do not use abrasive, chlorine or acid-based cleaning products. Avoid contact with concentrated bleach. Clean with soapy water using a cloth or sponge.



Dimensions are in millimeters. If a Cad file is required please visit [www.mechline.com](http://www.mechline.com).



MECHLINE DEVELOPMENTS LIMITED

Tel: +44 (0)1908 261511 | Email: [info@mechline.com](mailto:info@mechline.com) | Web: [www.mechline.com](http://www.mechline.com)