

MODEL:

**BaSix WS3-D**

**BASIX**

BaSix Hand Wash Station with a pair of CaterTap DOME taps

**Basin range:** WS3  
**Controls:** Dome  
**Accreditation:** WRAS

**FEATURES & BENEFITS**

- Range of hygienic hand washing solutions.
- Helps operations meet their requirement to provide hand-washing stations on site.
- Good and safe habits are more easily followed and enforced.

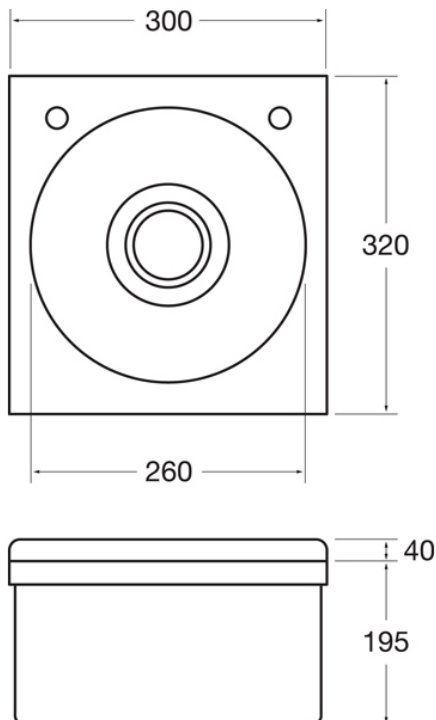
**TECHNICAL INFO**

- Dimensions: O/D: 300 x 320 x 195mm Bowl: 260 dia x 150mm deep



**MAINTENANCE & CLEANING**

Cleaning chrome: Do not use abrasive, chlorine or acid-based cleaning products. Avoid contact with concentrated bleach. Clean with soapy water using a cloth or sponge.



Dimensions are in millimeters. If a Cad file is required please visit [www.mechline.com](http://www.mechline.com).



MECHLINE DEVELOPMENTS LIMITED

Tel: +44 (0)1908 261511 | Email: [info@mechline.com](mailto:info@mechline.com) | Web: [www.mechline.com](http://www.mechline.com)