

FOOD WASTE STRAINER

FWS600 - FITTING INSTRUCTIONS

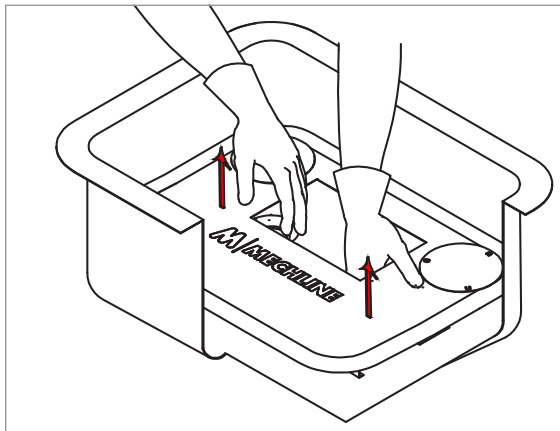
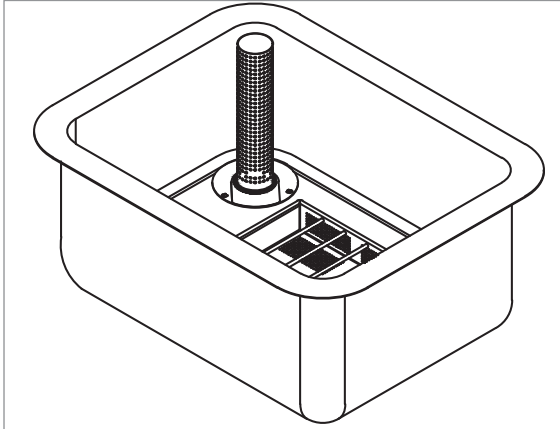


Thank you for purchasing the Mechline Food Waste Strainer FWS600.

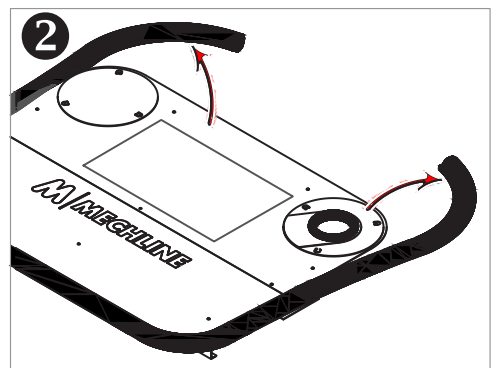
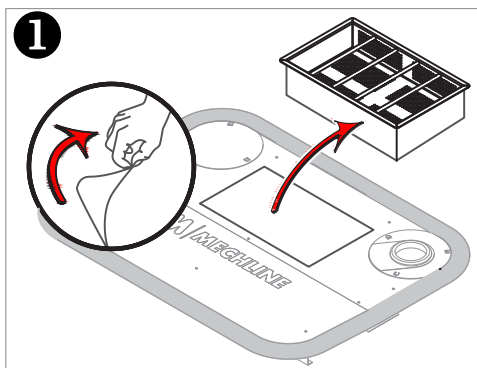
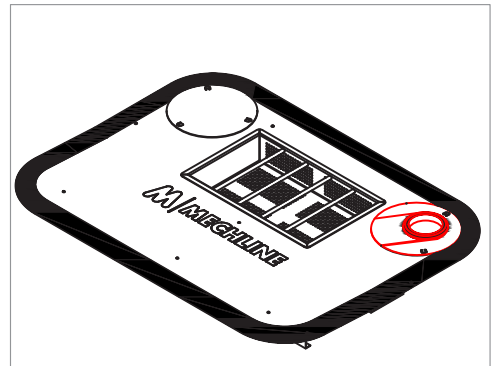
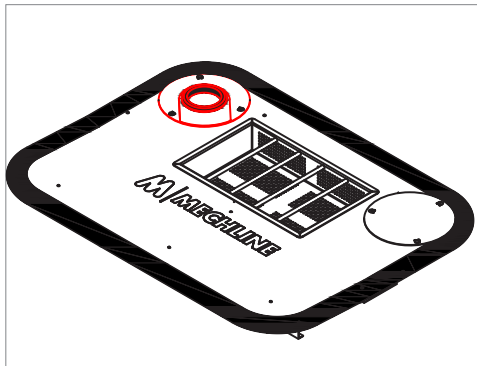
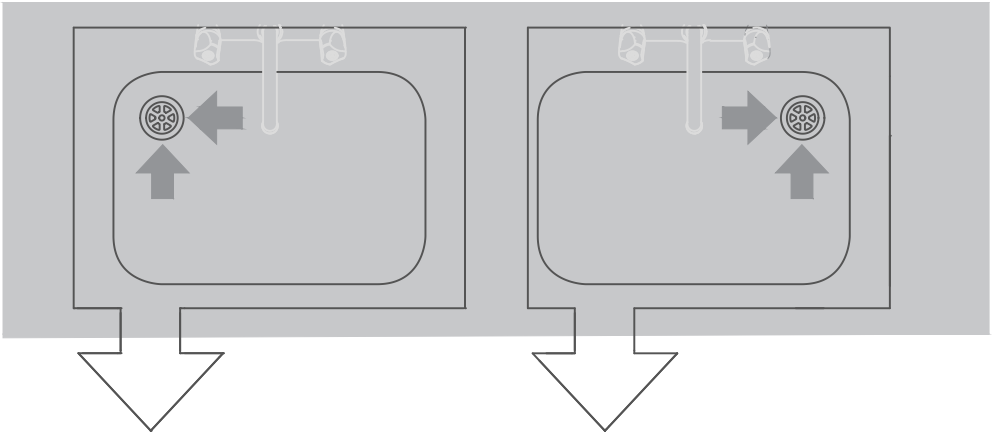
- MADE FROM DURABLE 1mm, 304 STAINLESS STEEL, WITH REMOVABLE FOOD WASTE BASKET.
- THE SET-UP TAKES FIVE MINUTES FOR EITHER LEFT, OR RIGHT HANDED SINK BOWLS.
- DESIGNED FOR SINKS OF 580-610 mm LENGTH x 430-460 mm WIDTH.
- UPSTAND STRAINER, IF PURCHASED FROM MECHLINE, WILL FIT A STANDARD 1 ½" (40mm) WASTE

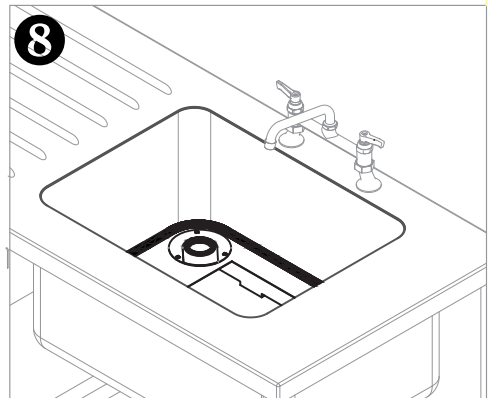
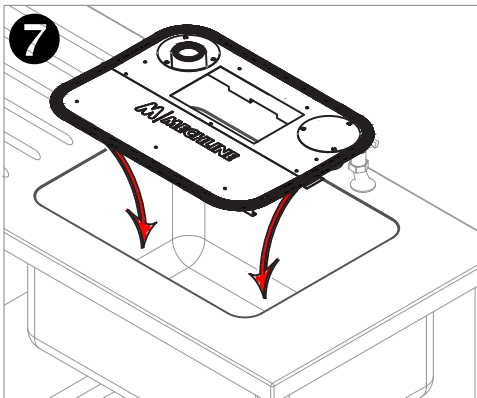
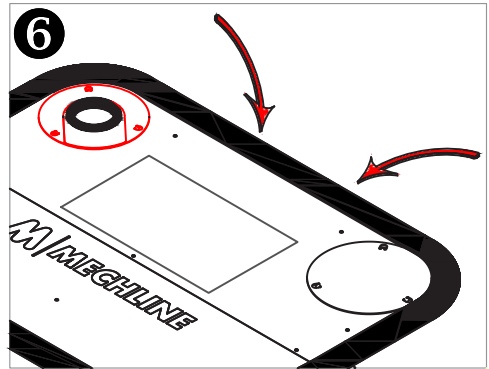
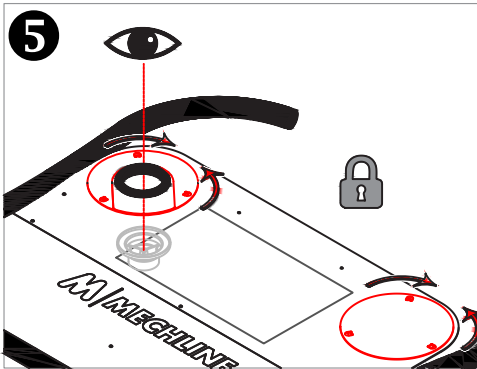
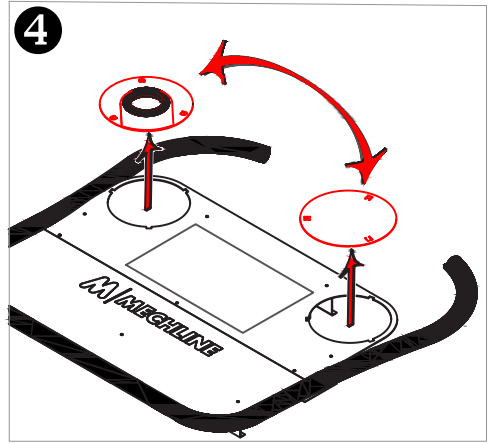
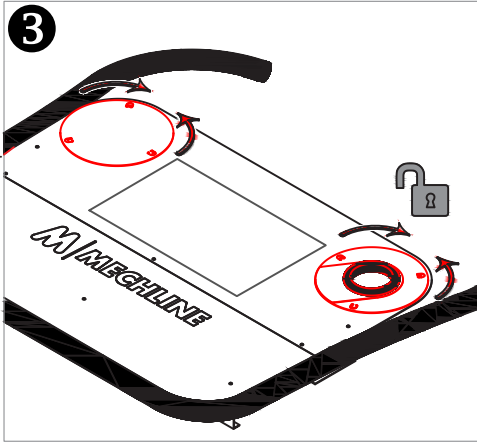
IMPORTANT NOTES:

- FOR STRAINER TO WORK EFFICIENTLY, AN UPSTAND STRAINER MUST BE USED.
- THE UPSTAND STRAINER MUST BE LOWER THAN THE SINK'S BRIM.
- IT IS IMPERATIVE THE FOOD WASTE STRAINER SITS IN THE BOTTOM OF THE SINK.
- THE FOOD WASTE STRAINER MUST BE INSTALLED IN COMPLIANCE WITH THE SUPPLIED INSTRUCTIONS.
- WE RECOMMEND THE FOOD WASTE STRAINER IS CLEANED IN THE DISHWASHER AT THE END OF EACH SHIFT.
- TAKE CARE BEFORE AND DURING INSTALLATION AND WHEN REMOVING THE FOOD WASTE STRAINER FOR CLEANING, MOVING METAL PARTS INVOLVED!



continued...





continued...

