



MODEL:

Delabie DLB-D5106

# DELABIE



Delabie 1/2-inch Dome Head Sink Tap with 150mm Swivel Spout

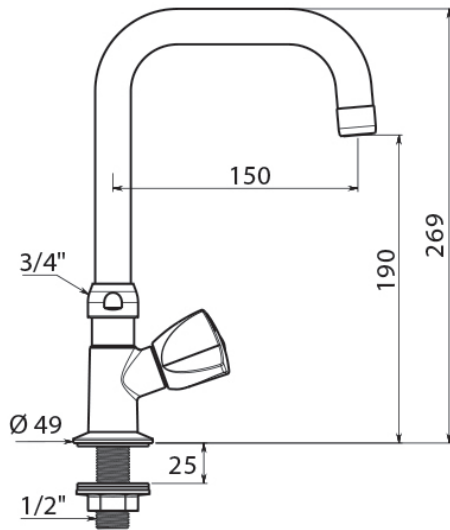
**Connection(s):** 1/2-inch  
**Controls:** Dome  
**Mount:** Deck mounted  
**Pedestal:** Single Hole  
**Spout:** 150mm swivel  
**Tap Type:** Sink

### FEATURES & BENEFITS

- Pillar tap with Long-Life valve head.
- DELTA chrome-plated control knob.
- H. 190mm, L. 150mm.
- Scale-resistant flow straightener regulated to 3 lpm.
- Body and spout in chrome-plated brass.

### TECHNICAL INFO

- Connection(s): M1/2-inch.
- Height: 190mm.
- Length: 150mm.
- Flow rate: 3 lpm.
- Product material: chrome plated brass
- Hole cut out requirement 25-35mm
- Product weight: 0.83kg



Dimensions are in millimeters. If a Cad file is required please visit [www.mechline.com](http://www.mechline.com).



MECHLINE DEVELOPMENTS LIMITED

Tel: +44 (0)1908 261511 | Email: [info@mechline.com](mailto:info@mechline.com) | Web: [www.mechline.com](http://www.mechline.com)