



MODEL:

Delabie DLB-88401230

DELABIE



TEMPOMATIC 3, battery-operated tap (non mixer)

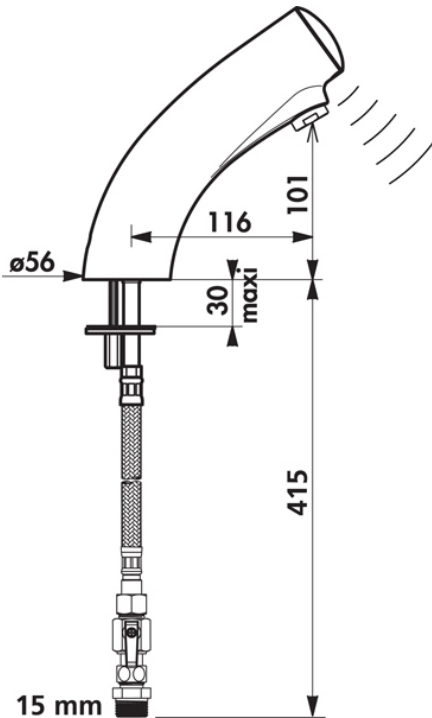
Accreditation: WRAS
Controls: Battery operated
Mount: Deck mounted
Tap Type: Tempomatic 3

FEATURES & BENEFITS

- WRAS approved.
- Flow straightener set at 3 lpm at 3 bar. Flow rate can be adjusted if pressure < 3 bar.
- 6V Lithium battery, solenoid valves and electronic controls integrated in the body of the tap.
- Infra-red presence detection.
- PEX flexibles with integrated filters.
- Chrome-plated brass body with reinforced fixings.
- Anti-blocking safety & temp. limiter.
- Duty flush (for ~60 seconds 24 hours after last use)

TECHNICAL INFO

- Drop height: 100mm.
- Spout length: 120mm.
- Flow rate: 3 lpm.



Dimensions are in millimeters. If a Cad file is required please visit www.mechline.com.



MECHLINE DEVELOPMENTS LIMITED

Tel: +44 (0)1908 261511 | Email: info@mechline.com | Web: www.mechline.com