



MODEL:

Delabie DLB-624QU2

DELABIE

Bubbler with inlet M $\frac{1}{2}$ -inch

Accreditation: WRAS

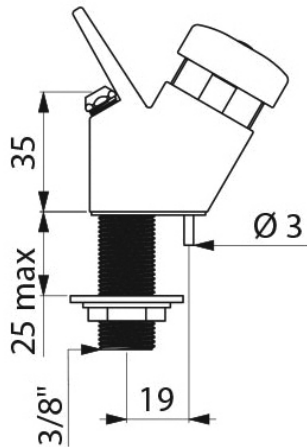
Tap Type: Bubbler

FEATURES & BENEFITS

- Bubbler for water fountains.
- Instant shut-off.
- Adjustable flow rate.
- Chrome-plated brass.
- Connection M $\frac{1}{2}$ -inch.

TECHNICAL INFO

- Connection(s): M $\frac{1}{2}$ -inch.
- Drop height: 35mm.



Dimensions are in millimeters. If a Cad file is required please visit www.mechline.com.



MECHLINE DEVELOPMENTS LIMITED

Tel: +44 (0)1908 261511 | Email: info@mechline.com | Web: www.mechline.com