



MODEL:

Delabie DLB-5128T8

# DELABIE



Delabie 1 1/2-inch mechanical mixer for sinks and troughs with lever control and swivelling spout

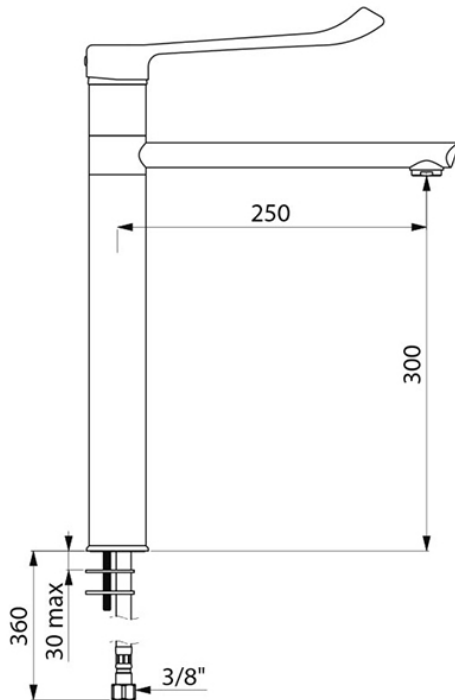
**Accreditation:** WRAS  
**Connection(s):** 1/2-inch  
**Controls:** Lever  
**Mount:** Deck mounted  
**Pedestal:** Single Hole  
**Spout:** Swivel  
**Tap Type:** Monobloc Mixer  
**Water Feed:** Twin

### FEATURES & BENEFITS

- Mechanical mixer for sinks and troughs with swivelling spout H. 300mm L. 250mm.
- High spout with hygienic flow straightener suitable for fitting a BIOFIL terminal filter.
- Body and spout with smooth interiors (reduced bacterial development).
- Chrome-plated body, base and spout.
- Flow rate limited to 9 lpm at 3 bar.
- Hygiene control lever L. 215mm requires no manual contact.
- Supplied with braided stainless steel PEX flexibles F 1/2-inch.
- Reinforced fixings by 2 stainless steel rods and back-nuts.

### TECHNICAL INFO

- Connection(s): F 1/2-inch.
- Height: 439mm.
- Drop height: 300mm.
- Spout length: 250mm.
- Flow rate: 9 lpm.



Dimensions are in millimeters. If a Cad file is required please visit [www.mechline.com](http://www.mechline.com).



MECHLINE DEVELOPMENTS LIMITED

Tel: +44 (0)1908 261511 | Email: [info@mechline.com](mailto:info@mechline.com) | Web: [www.mechline.com](http://www.mechline.com)