



MODEL:

Delabie DLB-5044LSP

# DELABIE



Delabie ½-inch mechanical basin mixer with lever control and swivelling spout

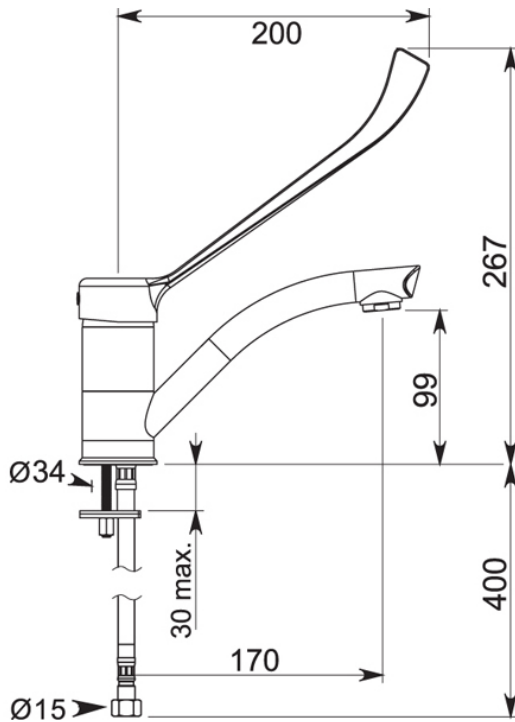
**Connection(s):** ½-inch  
**Controls:** Lever  
**Mount:** Deck mounted  
**Pedestal:** Single Hole  
**Spout:** Swivel  
**Tap Type:** Monobloc Mixer  
**Water Feed:** Twin

### FEATURES & BENEFITS

- Mechanical basin mixer with swivelling spout H. 95mm L. 170mm with hygienic flow straightener.
- Pre-set maximum temperature limiter.
- Body and spout with smooth interiors.
- Flow rate limited to 5 lpm at 3 bar.
- Hygiene control lever L. 200mm.
- Supplied with PEX flexibles F½-inch.
- Reinforced fixing via 2 stainless steel rods.

### TECHNICAL INFO

- Connection(s): F½-inch.
- Height: 267mm.
- Drop height: 95mm.
- Spout length: 170mm.
- Flow rate: 5 lpm.



Dimensions are in millimeters. If a Cad file is required please visit [www.mechline.com](http://www.mechline.com).



MECHLINE DEVELOPMENTS LIMITED

Tel: +44 (0)1908 261511 | Email: [info@mechline.com](mailto:info@mechline.com) | Web: [www.mechline.com](http://www.mechline.com)