



MODEL:

Delabie DLB-5012T4

DELABIE



Delabie 1/2-inch Mixer tap with Lever control and 200mm Swivel Spout OA 300mm

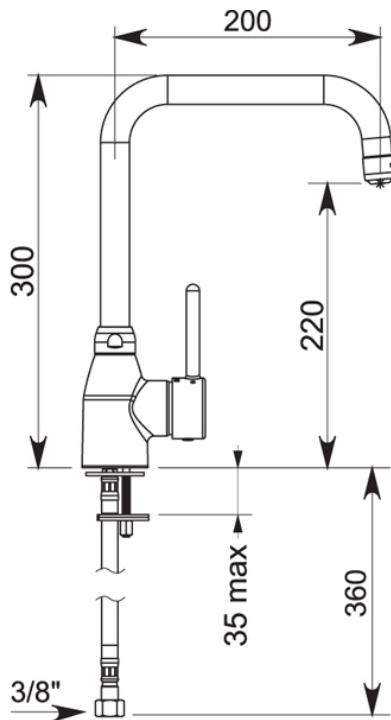
Connection(s): 1/2-inch
Controls: Lever
Mount: Deck mounted
Pedestal: Single Hole
Spout: 200mm swivel
Tap Type: Monobloc Mixer
Water Feed: Twin

FEATURES & BENEFITS

- Mechanical basin mixer with swivelling, tubular spout H. 220mm L. 200mm.
- High spout with BIOSAFE hygienic outlet suitable for fitting a BIOFIL terminal filter.
- Flow rate limited to 9 lpm at 3 bar.
- Slimline control lever.
- Without pop-up waste.
- Supplied with F10 PEX stainless steel braided flexibles.
- Chrome-plated brass body with reinforced fixing via 2 stainless steel rods and back-nuts.

TECHNICAL INFO

- Connection(s): 1/2-inch.
- Worktop hole: 34mm.
- Drop height: 220mm.
- Spout length: 200mm.
- Flow rate: 9 lpm.



Dimensions are in millimeters. If a Cad file is required please visit www.mechline.com.



MECHLINE DEVELOPMENTS LIMITED

Tel: +44 (0)1908 261511 | Email: info@mechline.com | Web: www.mechline.com