



MODEL:

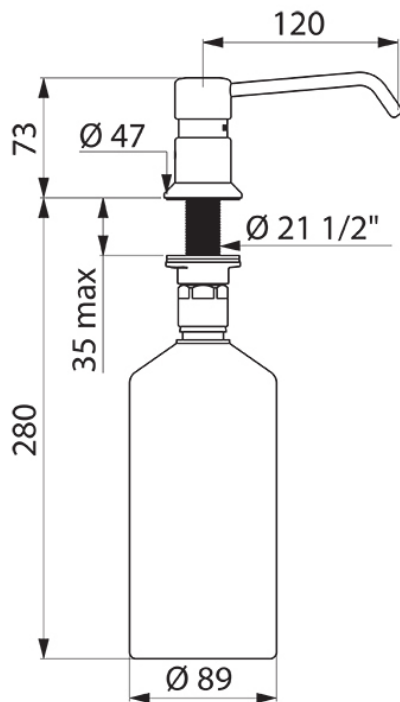
Delabie DLB-1458024

# DELABIE

Soap Dispenser with 1 litre bottle, CURVED spout, L. 120mm

### FEATURES & BENEFITS

- Chrome-plated solid brass
- Allen screw fitting prevents vandalism.
- Filled up from the top (by unscrewing the upper part) or from the lower part (by unscrewing the bottle).



Dimensions are in millimeters. If a Cad file is required please visit [www.mechline.com](http://www.mechline.com).



MECHLINE DEVELOPMENTS LIMITED

Tel: +44 (0)1908 261511 | Email: [info@mechline.com](mailto:info@mechline.com) | Web: [www.mechline.com](http://www.mechline.com)