



MODEL:

CaterTap WRCT-500SD

# CATER TAP

CaterTap 1/2-inch Dome head Sink taps

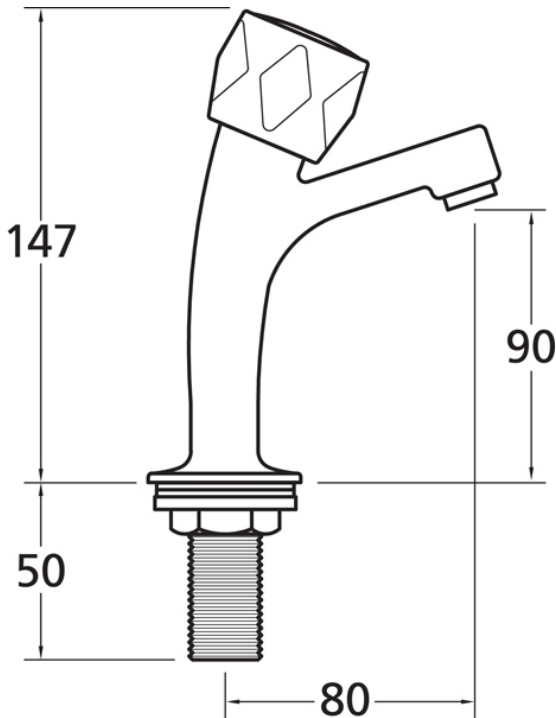
**Accreditation:** WRAS  
**Connection(s):** 1/2-inch  
**Controls:** Dome  
**Mount:** Deck mounted  
**Tap Type:** Sink  
**Water Feed:** Single

### FEATURES & BENEFITS

- WRAS approved.
- High-grade chrome-finished.
- Low maintenance and long lasting.
- Manufactured to British Standards.
- Robust commercial tap.
- Backed by Mechline's standard 1 year warranty.

### TECHNICAL INFO

- Connection(s): 1/2-inch.
- Worktop hole requirement: 22-28mm.
- Recommended dynamic water pressure range: 1-5 bar.
- Flow rate: 13.44 lpm tested at 3 bar pressure
- Product material: Chrome plated brass
- Product weight: 0.86kg
- Max recommended temperature 60°C



Dimensions are in millimeters. If a Cad file is required please visit [www.mechline.com](http://www.mechline.com).



MECHLINE DEVELOPMENTS LIMITED

Tel: +44 (0)1908 261511 | Email: [info@mechline.com](mailto:info@mechline.com) | Web: [www.mechline.com](http://www.mechline.com)