



MODEL:

CaterTap WRCT-500ML3

# CATERTAP



CaterTap 1/2-inch Deck Mixer with 3-inch Levers and Swivel spout

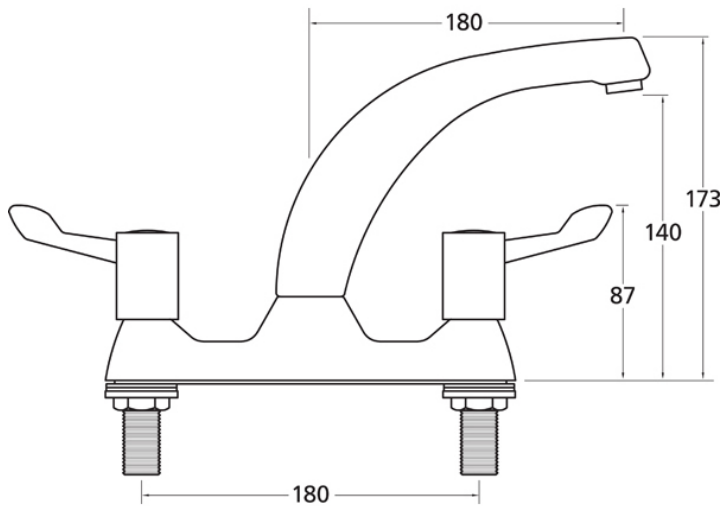
**Accreditation:** WRAS  
**Tap Hole Centres:** 180mm  
**Connection(s):** 1/2-inch  
**Controls:** 3-inch lever  
**Mount:** Deck mounted  
**Tap Type:** Mixer  
**Water Feed:** Twin

### FEATURES & BENEFITS

- WRAS approved.
- High-grade chrome-finished.
- Low maintenance and long lasting.
- Manufactured to British Standards.
- Robust commercial tap. Includes PosiStop protected lever and dome heads for long life and reliability for all models.
- Backed by Mechline's standard 1 year warranty.

### TECHNICAL INFO

- Connection(s): 1/2-inch.
- Worktop hole: 25mm.
- Recommended static water pressure range: 1-5 bar.
- Flow rate: 12.67 lpm tested at 3 bar pressure



Dimensions are in millimeters. If a Cad file is required please visit [www.mechline.com](http://www.mechline.com).



MECHLINE DEVELOPMENTS LIMITED

Tel: +44 (0)1908 261511 | Email: [info@mechline.com](mailto:info@mechline.com) | Web: [www.mechline.com](http://www.mechline.com)