



MODEL:

CaterTap WRCT-500MD

CATERTAP

CaterTap 1/2-inch Dome head Deck Mixer with Swivel Spout

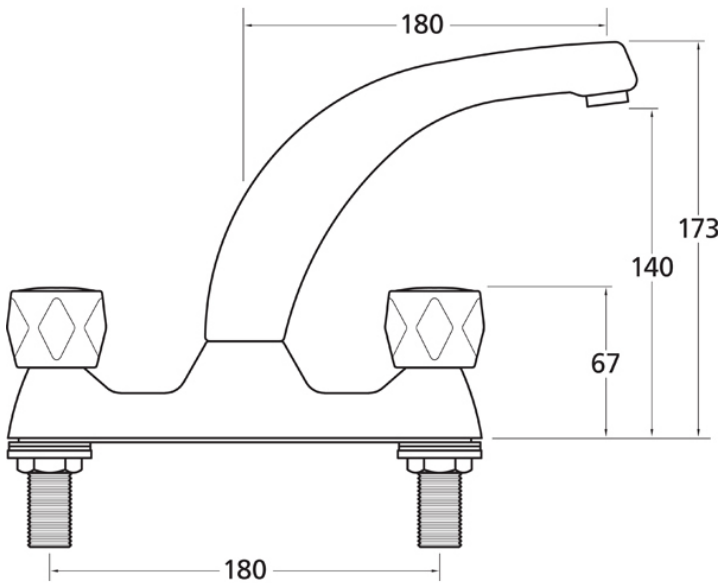
Accreditation: WRAS
Tap Hole Centres: 180mm
Connection(s): 1/2-inch
Controls: Dome
Mount: Deck mounted
Tap Type: Mixer
Water Feed: Twin

FEATURES & BENEFITS

- WRAS approved.
- High-grade chrome-finished.
- Low maintenance and long lasting.
- Manufactured to British Standards.
- Robust commercial tap.
- Backed by Mechline's standard 1 year warranty.

TECHNICAL INFO

- Connection(s): 1/2-inch.
- Worktop hole: 25mm.
- Recommended static water pressure range: 1-5 bar.
- Flow rate: 13.44 lpm tested at 3 bar pressure



Dimensions are in millimeters. If a Cad file is required please visit www.mechline.com.



MECHLINE DEVELOPMENTS LIMITED

Tel: +44 (0)1908 261511 | Email: info@mechline.com | Web: www.mechline.com