



MODEL:

CaterTap WR-922303

# CATERTAP

½-inch Monobloc Basin Mixer Tap with single lever control

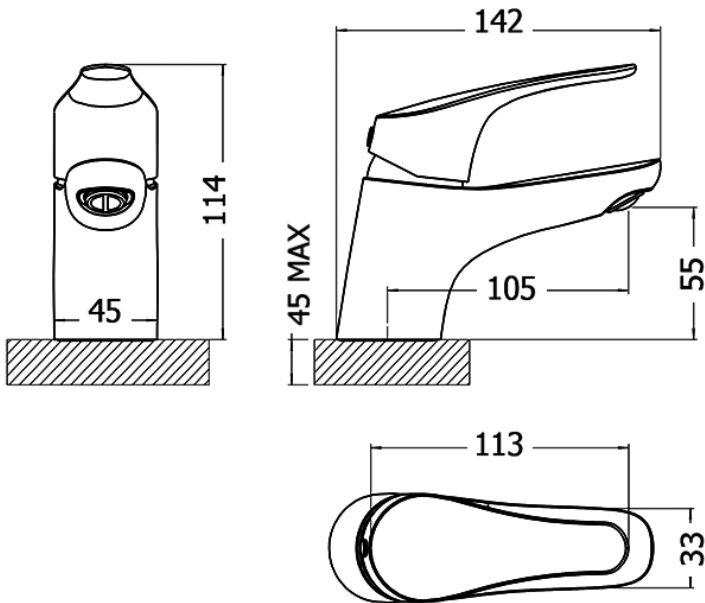
**Accreditation:** Kiwa KUKreg4  
**Accreditation:** WRAS  
**Connection(s):** ½-inch  
**Controls:** Lever  
**Mount:** Deck mounted  
**Tap Type:** Monobloc Mixer  
**Water Feed:** Twin

### FEATURES & BENEFITS

- Specially engineered for long life and service
- Recognised industry leader
- Suitable for a wide variety of applications
- Easy to service and maintain
- High quality polished chrome finish

### TECHNICAL INFO

- Connection(s): Flexible hoses with ½-inch BSP threaded ends
- Worktop hole: 35mm
- Flow straightener
- 5.3 l/min - tested at 0.2 bar
- Recommended dynamic water pressure range: 0.1-6 bar
- Max recommended temperature 60°C



Dimensions are in millimeters. If a Cad file is required please visit [www.mechline.com](http://www.mechline.com).



MECHLINE DEVELOPMENTS LIMITED

Tel: +44 (0)1908 261511 | Email: [info@mechline.com](mailto:info@mechline.com) | Web: [www.mechline.com](http://www.mechline.com)