



MODEL:

CaterTap WR-4S1209

CATER TAP

½-inch Monobloc Mixer with single lever control

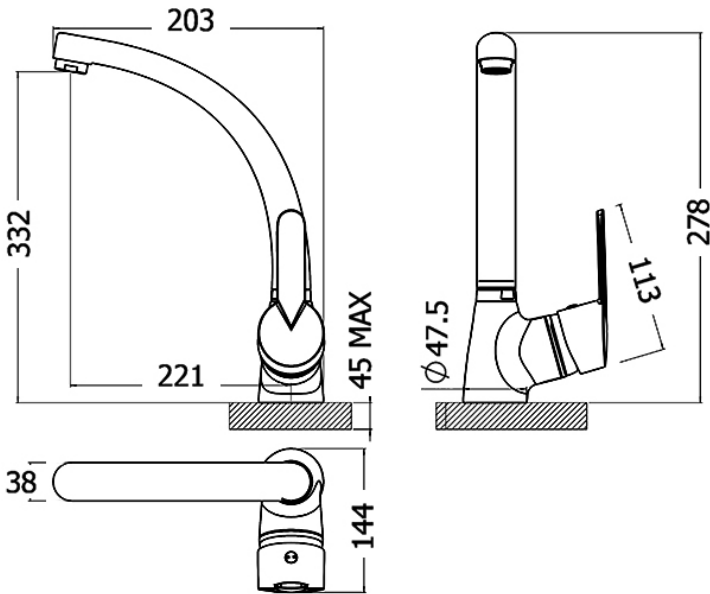
Accreditation: Kiwa KUKreg4
Accreditation: WRAS
Connection(s): ½-inch
Controls: Lever
Mount: Deck mounted
Tap Type: Monobloc Mixer
Water Feed: Twin

FEATURES & BENEFITS

- Specially engineered for long life and service
- Recognised industry leader
- Suitable for a wide variety of applications
- Easy to service and maintain
- High quality polished chrome finish

TECHNICAL INFO

- Connection(s): Flexible hoses with ½-inch BSP threaded ends
- Worktop hole: 35mm
- Flow straightener and aerator
- 4.4 l/min - tested at 0.2 bar
- Recommended dynamic water pressure range: 0.1-6 bar



Dimensions are in millimeters. If a Cad file is required please visit www.mechline.com.



MECHLINE DEVELOPMENTS LIMITED

Tel: +44 (0)1908 261511 | Email: info@mechline.com | Web: www.mechline.com