



MODEL:

CaterTap 500WX-HOT

CATERTAP

CaterTap 1/2-inch Bib tap – HOT (sold individually)

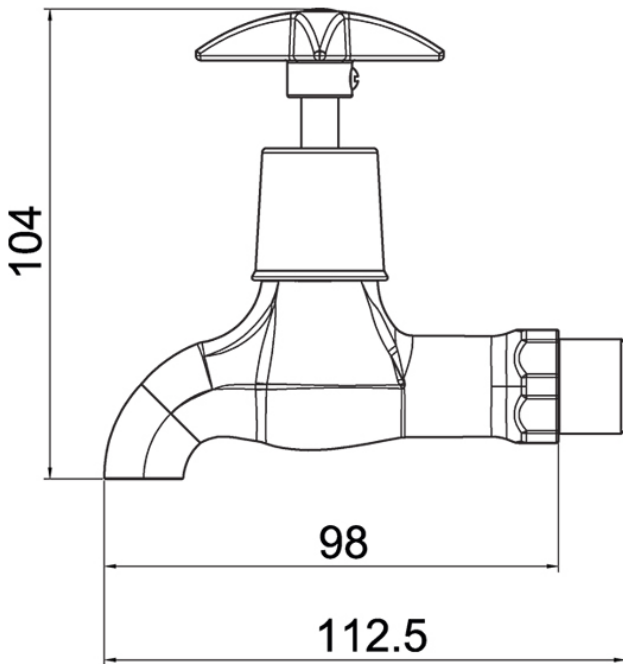
Connection(s): 1/2-inch
Controls: Cross head
Mount: Panel mounted
Tap Type: Bib
Water Feed: Single

FEATURES & BENEFITS

- High-grade chrome-finished.
- Low maintenance and long lasting.
- Manufactured to British Standards.
- Robust commercial tap.
- Backed by Mechline's standard 1 year warranty.

TECHNICAL INFO

- Connection(s): 1/2-inch male thread.
- Worktop hole: 25mm.
- Recommended dynamic water pressure range: 1-5 bar.
- Flow rate: 13.04 lpm tested at 3 bar pressure
- Product material: Chrome plated brass
- Product weight: 0.32kg
- Max recommended temperature 60°C



Dimensions are in millimeters. If a Cad file is required please visit www.mechline.com.



MECHLINE DEVELOPMENTS LIMITED

Tel: +44 (0)1908 261511 | Email: info@mechline.com | Web: www.mechline.com