



MODEL:

CaterTap 1/22159QT

CATERTAP

½-inch Basin Taps with 3-inch Levers

Connection(s): ½-inch

Controls: 3-inch lever

Mount: Deck mounted

Tap Type: Basin

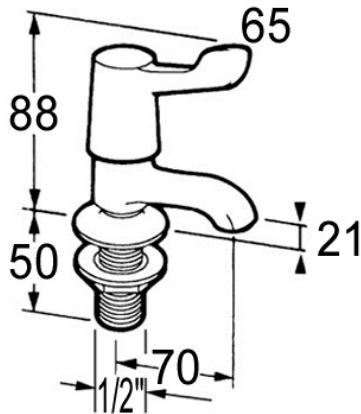
Water Feed: Single

FEATURES & BENEFITS

- Especially engineered for long life and service.
- Recognised industry leader.
- Suitable for a wide variety of applications.
- Easy to service and maintain.
- High quality polished chrome finish.

TECHNICAL INFO

- Connection(s): ½-inch.
- Worktop hole: 25mm.
- Recommended static water pressure range: 0.2-6 bar.



Dimensions are in millimeters. If a Cad file is required please visit www.mechline.com.



MECHLINE DEVELOPMENTS LIMITED

Tel: +44 (0)1908 261511 | Email: info@mechline.com | Web: www.mechline.com