



MODEL:

CaterTap 1/22159QT

# CATERTAP

½-inch Basin Taps with 3-inch Levers

**Connection(s):** ½-inch

**Controls:** 3-inch lever

**Mount:** Deck mounted

**Tap Type:** Basin

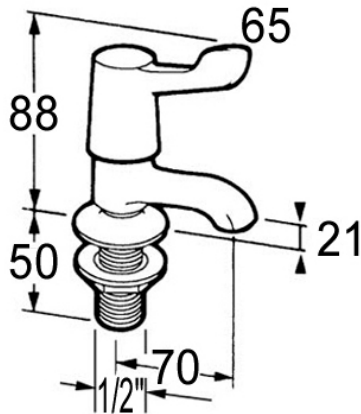
**Water Feed:** Single

### FEATURES & BENEFITS

- Especially engineered for long life and service.
- Recognised industry leader.
- Suitable for a wide variety of applications.
- Easy to service and maintain.
- High quality polished chrome finish.

### TECHNICAL INFO

- Connection(s): ½-inch.
- Worktop hole: 25mm.
- Recommended static water pressure range: 0.2-6 bar.



Dimensions are in millimeters. If a Cad file is required please visit [www.mechline.com](http://www.mechline.com).



MECHLINE DEVELOPMENTS LIMITED

Tel: +44 (0)1908 261511 | Email: [info@mechline.com](mailto:info@mechline.com) | Web: [www.mechline.com](http://www.mechline.com)