

MODEL: **BaSix WS6-TX-i-200-WNT**

BASIX



BaSix Hand Wash Station. Hands-Free Operated with AquaTechnix TX-i-200 Electronic Sensor Tap. Includes microvalve, battery pack, 4x standard AA batteries, PEX lined water hose, WNT-MIX thermostatic mixer & tap hole stopper

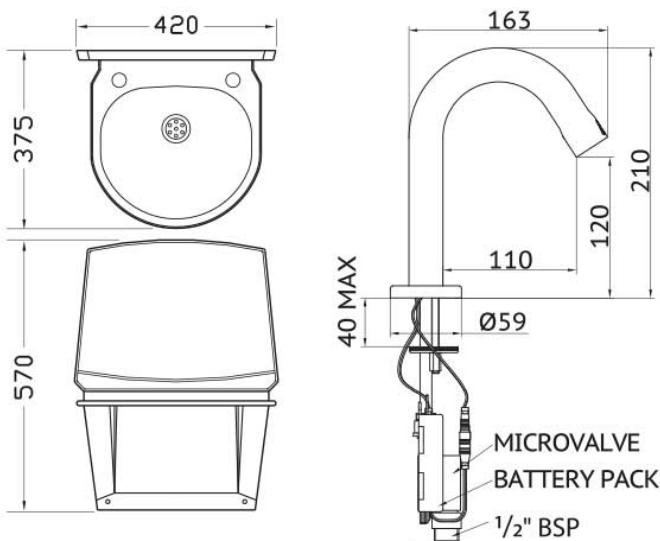
Basin Range: WS6
Accreditation: Kiwa KUKreg4 1+
Controls: Hands-Free
Controls: Hands-free ' Battery Operated'
Spout: Fixed Spout
Tap Type: TX-i

FEATURES & BENEFITS

- Range of hygienic hand washing solutions
- Helps operations meet their requirement to provide hand-washing stations on site
- Good and safe habits are more easily followed and enforced
- Supreme water-savings and huge hygiene benefits with the AquaTechnix TX-i Sensor Tap

TECHNICAL INFO

- Dimensions: O/D: 420 x 375 x 570 Bowl: 360 x 270 x 100 deep
- Flow rate range: Between 3.78 LPM (0.063 LPS) and 8 LPM (0.133 LPS) pressure dependent
- Basin material: 304 Stainless Steel
- Basin weight: 3.4kg
- One and one quarter inch waste fitting supplied
- Supplied with thermostatic mixing valve for hot & cold supplies with integrally fitted check valves
- Tap used on this basin is the TX-i-200
- TX-i Sensor Tap certified to KUK Reg4 1+ by Kiwa



Dimensions are in millimeters. If a Cad file is required please visit www.mechline.com.