

MODEL: **BaSix WS6-TX-i-200-MMX**

# BASIX



BaSix Hand Wash Station. Hands-Free Operated with AquaTechnix TX-i-200 Electronic Sensor Tap. Includes microvalve, battery pack, 4x standard AA batteries, PEX lined water hose, M-MX91 manual mixer & tap hole stopper

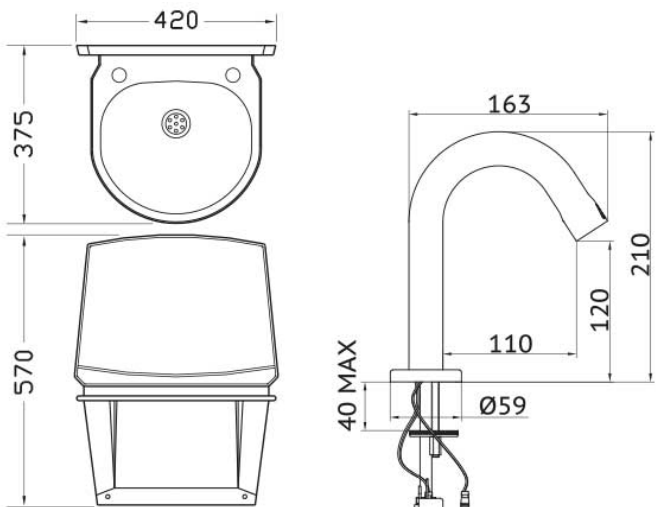
**Basin Range:** WS6  
**Accreditation:** Kiwa KUKreg4 1+  
**Controls:** Hands-Free  
**Controls:** Hands-free ' Battery Operated'  
**Spout:** Fixed Spout  
**Tap Type:** TX-i

**FEATURES & BENEFITS**

- Range of hygienic hand washing solutions
- Helps operations meet their requirement to provide hand-washing stations on site
- Good and safe habits are more easily followed and enforced
- Supreme water-savings and huge hygiene benefits with the AquaTechnix TX-i Sensor Tap

**TECHNICAL INFO**

- Dimensions: O/D: 420 x 375 x 570 Bowl: 360 x 270 x 100 deep
- Flow rate range: Between 3.78 LPM (0.063 LPS) and 8 LPM (0.133 LPS) pressure dependent
- Basin material: 304 Stainless Steel
- Basin weight: 3.4kg
- One and one quarter inch waste fitting supplied
- Supplied with manual mixing valve for hot & cold supplies with integrally fitted check valves
- Tap used on this basin is the TX-i-200
- TX-i Sensor Tap certified to KUK Reg4 1+ by Kiwa



Dimensions are in millimeters. If a Cad file is required please visit [www.mechline.com](http://www.mechline.com).