

MODEL:

BaSix WS6-KVS

BASIX



BaSix Hand Wash Station. 'Push-Front', Hands-Free operation. Includes swivel spout, M-MX91 manual mixer, water hose and tap hole stopper

Basin Range: WS6

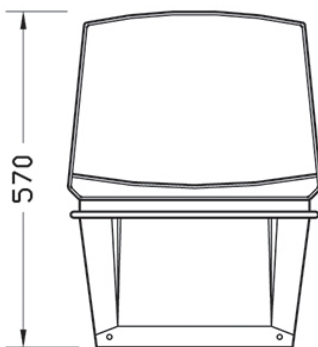
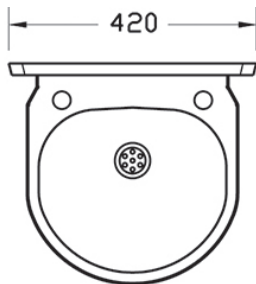
Controls: Hands-free 'Push Front'

FEATURES & BENEFITS

- Range of hygienic hand washing solutions.
- Helps operations meet their requirement to provide hand-washing stations on site.
- Good and safe habits are more easily followed and enforced.

TECHNICAL INFO

- Dimensions: O/D: 420 x 375 x 570 Bowl: 360 x 270 x 100 deep



Dimensions are in millimeters. If a Cad file is required please visit www.mechline.com.