



MODEL:

BaSix WS4-TX-BD

BASIX

BaSix Hand Wash Station with a pair of AquaTechnix DOME head Reg4 certified taps

Accreditation: Kiwa KUKreg4 1+

Basin Range: WS4

Controls: Dome

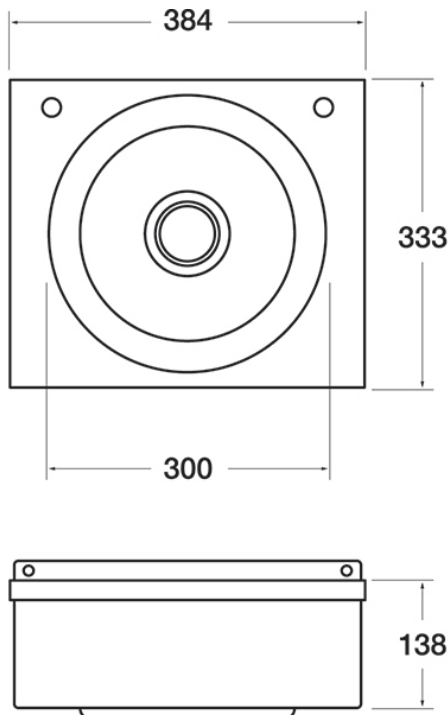
Tap Type: Basin

FEATURES & BENEFITS

- Range of hygienic hand washing solutions.
- Helps operations meet their requirement to provide hand-washing stations on site.
- Good and safe habits are more easily followed and enforced.

TECHNICAL INFO

- Dimensions: O/D: 384 x 333 x 138 Bowl: 300 dia x 138mm deep



Dimensions are in millimeters. If a Cad file is required please visit www.mechline.com.



MECHLINE DEVELOPMENTS LIMITED

Tel: +44 (0)1908 261511 | Email: info@mechline.com | Web: www.mechline.com