



MODEL:

BaSix WS4-T2-T

# BASIX

BaSix Hand Wash Station. Soft-touch operated, time flow tap. Includes Delabie Temposoft 2 tap, Premix Nano thermostatic mixer, water hose & tap hole stopper

**Accreditation:** WRAS

**Basin Range:** WS4

**Controls:** Soft-touch

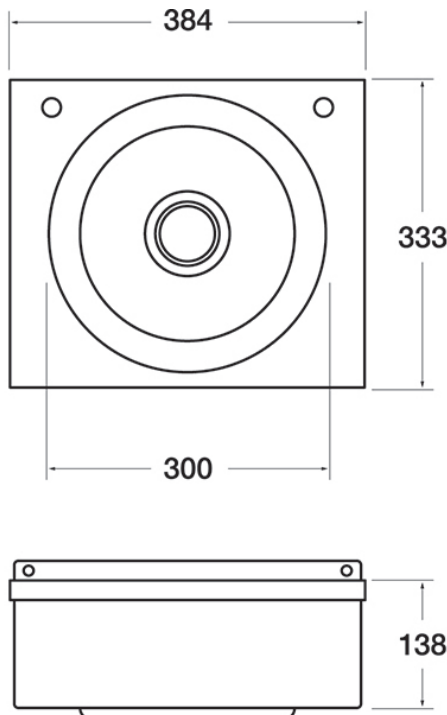
**Tap Type:** Temposoft 2

### FEATURES & BENEFITS

- Range of hygienic hand washing solutions.
- Helps operations meet their requirement to provide hand-washing stations on site.
- Good and safe habits are more easily followed and enforced.
- 90% water saving with a Delabie hands free tap.

### TECHNICAL INFO

- Dimensions: O/D: 384 x 333 x 138 Bowl: 300 dia x 138mm deep
- Basin material: 304 Stainless Steel
- Basin weight: 2.33kg
- One and one quarter inch waste fitting supplied
- Supplied with thermostatic mixing valve for hot & cold supplies with integrally fitted check valves
- Tap used on this basin are DLB-1481000



Dimensions are in millimeters. If a Cad file is required please visit [www.mechline.com](http://www.mechline.com).



MECHLINE DEVELOPMENTS LIMITED

Tel: +44 (0)1908 261511 | Email: [info@mechline.com](mailto:info@mechline.com) | Web: [www.mechline.com](http://www.mechline.com)