



MODEL:

BaSix WS4-ML-T

BASIX



BaSix Hand Wash Station with single 3-inch LEVER tap and thermostatic mixer

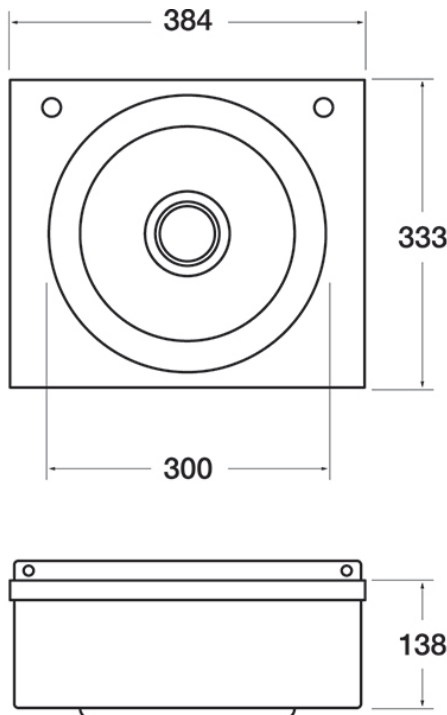
Basin Range: WS4
Controls: Lever

FEATURES & BENEFITS

- Range of hygienic hand washing solutions.
- Helps operations meet their requirement to provide hand-washing stations on site.
- Good and safe habits are more easily followed and enforced.

TECHNICAL INFO

- Dimensions: O/D: 384 x 333 x 138 Bowl: 300 dia x 138mm deep
- Basin material: 304 Stainless Steel
- Basin weight: 2.33kg
- One and one quarter inch waste fitting supplied
- Supplied with thermostatic mixing valve for hot & cold supplies with integrally fitted check valves
- Tap used on this basin is WRCT-500BL3-SINGLE



Dimensions are in millimeters. If a Cad file is required please visit www.mechline.com.



MECHLINE DEVELOPMENTS LIMITED

Tel: +44 (0)1908 261511 | Email: info@mechline.com | Web: www.mechline.com