



MODEL:

BaSix WS3-TX-BL

BASIX



BaSix Hand Wash Station with a pair of AquaTechnix LEVER Reg4 certified taps

Accreditation: Kiwa KUKreg4 1+

Basin Range: WS3

Controls: Lever

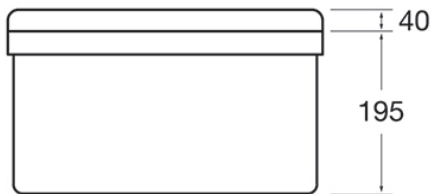
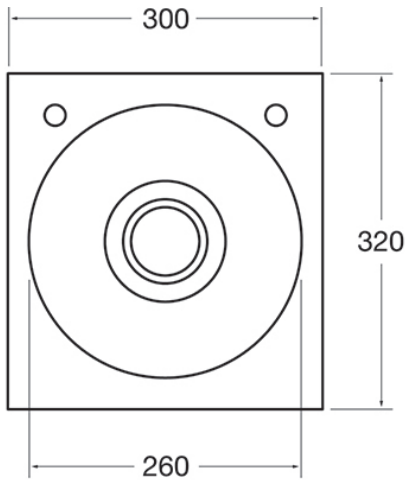
Tap Type: Basin

FEATURES & BENEFITS

- Range of hygienic hand washing solutions.
- Helps operations meet their requirement to provide hand-washing stations on site.
- Good and safe habits are more easily followed and enforced.

TECHNICAL INFO

- Dimensions: O/D: 300 x 320 x 195mm Bowl: 260 dia x 150mm deep



Dimensions are in millimeters. If a Cad file is required please visit www.mechline.com.



MECHLINE DEVELOPMENTS LIMITED

Tel: +44 (0)1908 261511 | Email: info@mechline.com | Web: www.mechline.com