



MODEL:

BaSix WS3-T2-T

BASIX



BaSix Hand Wash Station. Soft-touch operated, time flow tap. Includes Delabie Temposoft 2 tap, Premix Nano thermostatic mixer, water hose & tap hole stopper

Accreditation: WRAS

Basin Range: WS3

Controls: Soft-touch

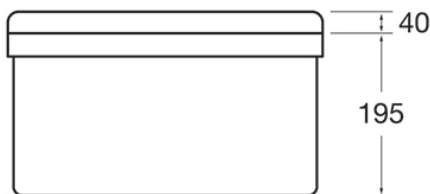
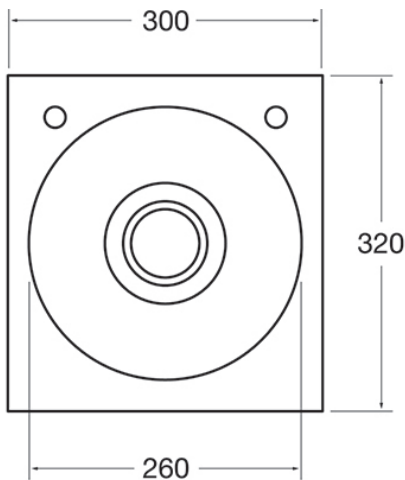
Tap Type: Temposoft 2

FEATURES & BENEFITS

- Range of hygienic hand washing solutions.
- Helps operations meet their requirement to provide hand-washing stations on site.
- Good and safe habits are more easily followed and enforced.
- 90% water saving with a Delabie hands free tap.

TECHNICAL INFO

- Dimensions: O/D: 300 x 320 x 195mm Bowl: 260 dia x 150mm deep
- Basin material: 304 Stainless Steel
- Basin weight: 2.17kg
- One and one quarter inch waste fitting supplied
- Supplied with thermostatic mixing valve for hot & cold supplies with integrally fitted check valves
- Tap used on this basin are DLB-1481000



Dimensions are in millimeters. If a Cad file is required please visit www.mechline.com.



MECHLINE DEVELOPMENTS LIMITED

Tel: +44 (0)1908 261511 | Email: info@mechline.com | Web: www.mechline.com