



MODEL:

BaSix WS3-MM

# BASIX



BaSix Hand Wash Station with Monobloc, single LEVER mixer tap

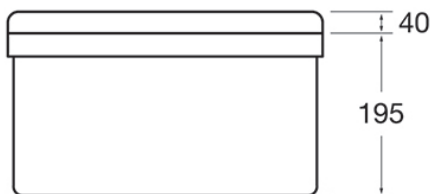
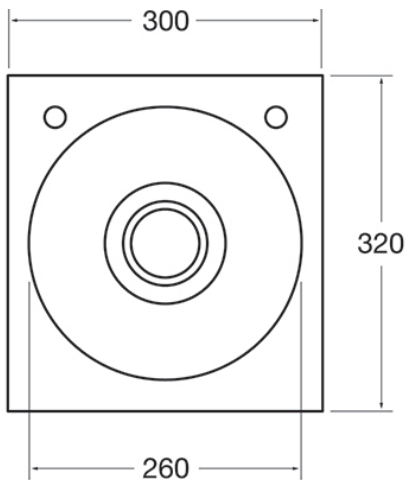
**Basin Range:** WS3  
**Controls:** Lever  
**Tap Type:** Monobloc

**FEATURES & BENEFITS**

- Range of hygienic hand washing solutions.
- Helps operations meet their requirement to provide hand-washing stations on site.
- Good and safe habits are more easily followed and enforced.

**TECHNICAL INFO**

- Dimensions: O/D: 300 x 320 x 195mm Bowl: 260 dia x 150mm deep



Dimensions are in millimeters. If a Cad file is required please visit [www.mechline.com](http://www.mechline.com).



MECHLINE DEVELOPMENTS LIMITED

Tel: +44 (0)1908 261511 | Email: [info@mechline.com](mailto:info@mechline.com) | Web: [www.mechline.com](http://www.mechline.com)