

MODEL:

BaSix WS3-ML

BASIX



BaSix Hand Wash Station with single 3-inch LEVER tap and manual mixer

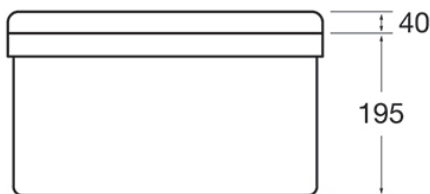
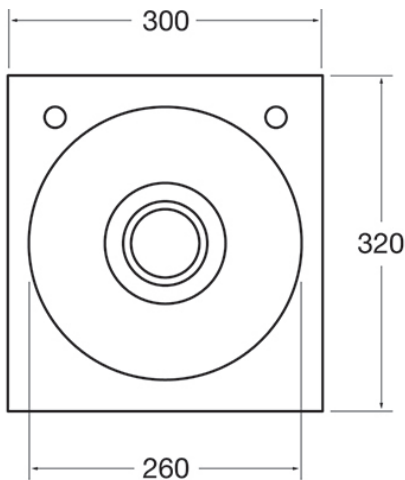
Accreditation: WRAS
Basin Range: WS3
Controls: 3-inch lever

FEATURES & BENEFITS

- Range of hygienic hand washing solutions.
- Helps operations meet their requirement to provide hand-washing stations on site.
- Good and safe habits are more easily followed and enforced.

TECHNICAL INFO

- Dimensions: O/D: 300 x 320 x 195mm Bowl: 260 dia x 150mm deep



Dimensions are in millimeters. If a Cad file is required please visit www.mechline.com.