



MODEL:

BaSix WS3-D

BASIX

BaSix Hand Wash Station with a pair of CaterTap DOME taps

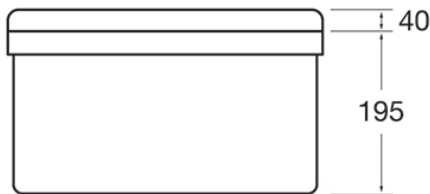
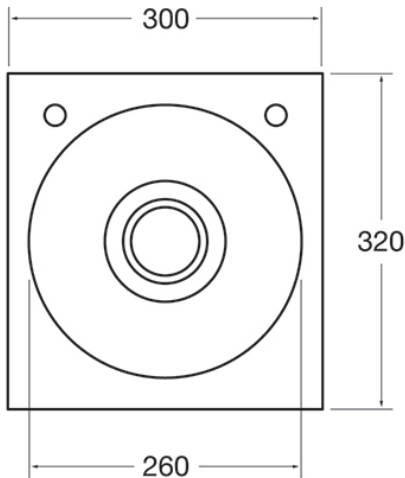
Accreditation: WRAS
Basin Range: WS3
Controls: Dome

FEATURES & BENEFITS

- Range of hygienic hand washing solutions.
- Helps operations meet their requirement to provide hand-washing stations on site.
- Good and safe habits are more easily followed and enforced.

TECHNICAL INFO

- Dimensions: O/D: 300 x 320 x 195mm Bowl: 260 dia x 150mm deep
- Basin material: 304 Stainless Steel
- Basin weight: 2.17kg
- One and one quarter inch waste fitting supplied
- Taps used on this basin are WRCT-500BD



Dimensions are in millimeters. If a Cad file is required please visit www.mechline.com.



MECHLINE DEVELOPMENTS LIMITED

Tel: +44 (0)1908 261511 | Email: info@mechline.com | Web: www.mechline.com