



MODEL:

BaSix WS2-MT

BASIX

BaSix Hand Wash Station with 'auto shut-off' single LEVER tap and manual mixer

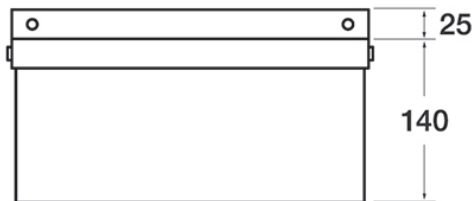
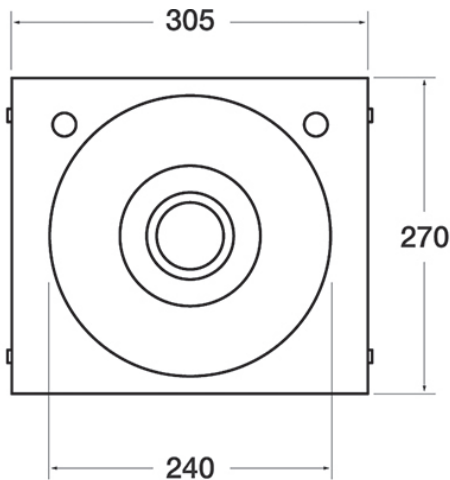
Basin Range: WS2
Controls: Auto shut-off

FEATURES & BENEFITS

- Range of hygienic hand washing solutions.
- Helps operations meet their requirement to provide hand-washing stations on site.
- Good and safe habits are more easily followed and enforced.

TECHNICAL INFO

- Dimensions: O/D: 305 x 270 x 140 Bowl: 240 x 135 deep
- Basin material: 304 Stainless Steel
- Basin weight: 1.72kg
- One and one quarter inch waste fitting supplied
- Supplied with manual mixing valve for hot & cold supplies with integrally fitted check valves
- Tap used on this basin are DLB-1490880



Dimensions are in millimeters. If a Cad file is required please visit www.mechline.com.



MECHLINE DEVELOPMENTS LIMITED

Tel: +44 (0)1908 261511 | Email: info@mechline.com | Web: www.mechline.com