



MODEL:

BaSix WS2-MM

BASIX

BaSix Hand Wash Station with Monobloc, single LEVER mixer tap

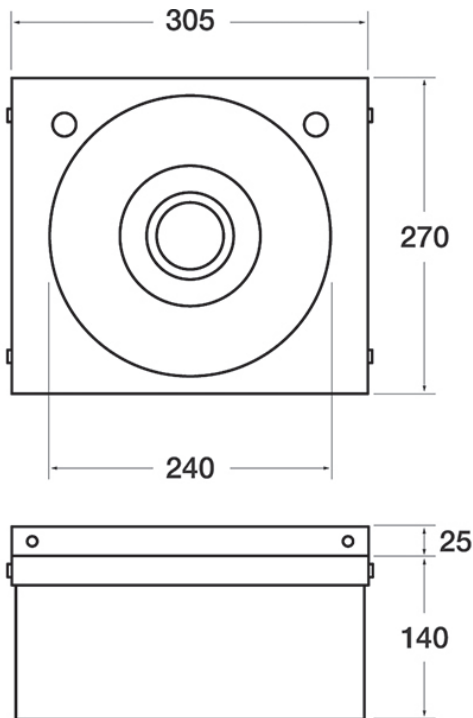
Basin Range: WS2
Controls: Lever
Tap Type: Monobloc Mixer

FEATURES & BENEFITS

- Range of hygienic hand washing solutions.
- Helps operations meet their requirement to provide hand-washing stations on site.
- Good and safe habits are more easily followed and enforced.

TECHNICAL INFO

- Dimensions: O/D: 305 x 270 x 140 Bowl: 240 x 135 deep



Dimensions are in millimeters. If a Cad file is required please visit www.mechline.com.



MECHLINE DEVELOPMENTS LIMITED

Tel: +44 (0)1908 261511 | Email: info@mechline.com | Web: www.mechline.com