



MODEL:

BaSix WS2-ML-T

# BASIX

BaSix Hand Wash Station with single 3-inch LEVER tap and thermostatic mixer

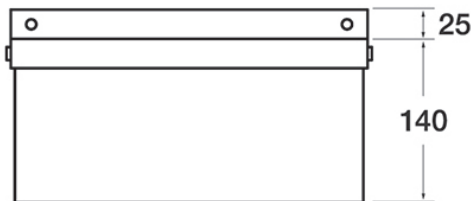
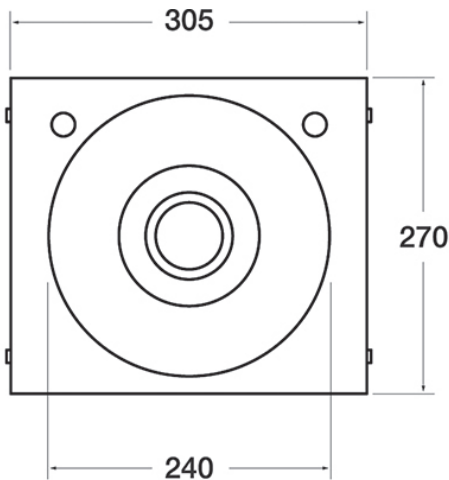
**Basin Range:** WS2  
**Controls:** 3-inch lever

**FEATURES & BENEFITS**

- Range of hygienic hand washing solutions.
- Helps operations meet their requirement to provide hand-washing stations on site.
- Good and safe habits are more easily followed and enforced.

**TECHNICAL INFO**

- Dimensions: O/D: 305 x 270 x 140 Bowl: 240 x 135 deep



Dimensions are in millimeters. If a Cad file is required please visit [www.mechline.com](http://www.mechline.com).



MECHLINE DEVELOPMENTS LIMITED

Tel: +44 (0)1908 261511 | Email: [info@mechline.com](mailto:info@mechline.com) | Web: [www.mechline.com](http://www.mechline.com)