

MODEL:

**BaSix WS1-NT4**

# BASIX



BaSix Hand Wash Station. Battery-Operated, Hands-Free operation. Includes Delabie Tempomatic 4 tap, M-MX91 manual mixer, water hose & tap hole stopper

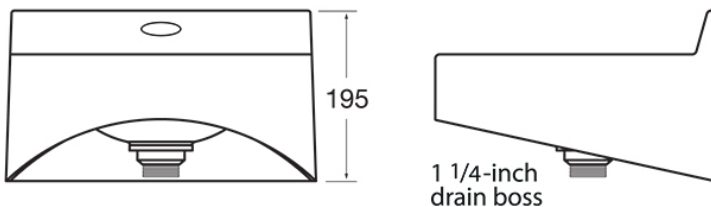
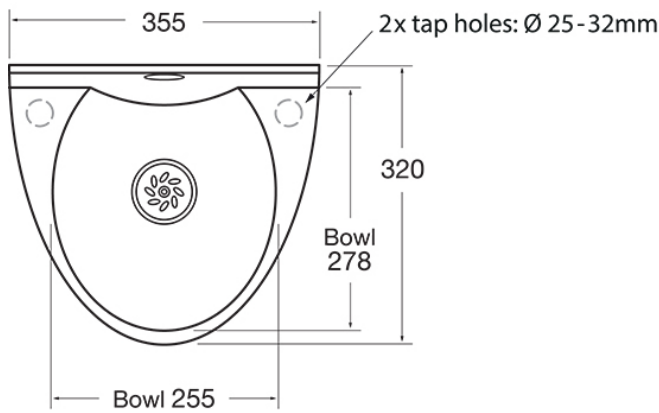
**Accreditation:** WRAS  
**Basin Range:** WS1  
**Controls:** Battery operated  
**Tap Type:** Tempomatic 4

**FEATURES & BENEFITS**

- Range of hygienic hand washing solutions.
- Helps operations meet their requirement to provide hand-washing stations on site.
- Good and safe habits are more easily followed and enforced.
- Engineered from a single-piece, moulded high-grade polycarbonate ABS plastic.
- Strong & durable with no sharp edges.
- Eco-friendly the WS1 can be fully recycled & has lower embedded energy costs than traditional stainless steel basins.
- 90% water saving with a Delabie hands free tap.

**TECHNICAL INFO**

- Dimensions: O/D: 355 x 320 x 195mm Bowl: 255 x 278 x 110mm deep



Dimensions are in millimeters. If a Cad file is required please visit [www.mechline.com](http://www.mechline.com).



MECHLINE DEVELOPMENTS LIMITED  
 Tel: +44 (0)1908 261511 | Email: [info@mechline.com](mailto:info@mechline.com) | Web: [www.mechline.com](http://www.mechline.com)