

MODEL:

BaSix WS1-NT-WHITE

BASIX

BaSix Hand Wash Station. Battery-Operated, Hands-Free operation. Includes Delabie Tempomatic 3 tap, M-MX91 manual mixer, water hose & tap hole stopper (WHITE)

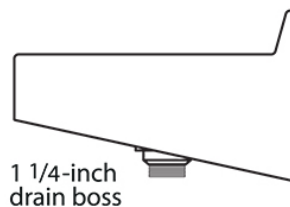
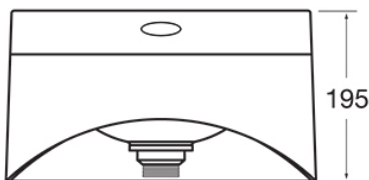
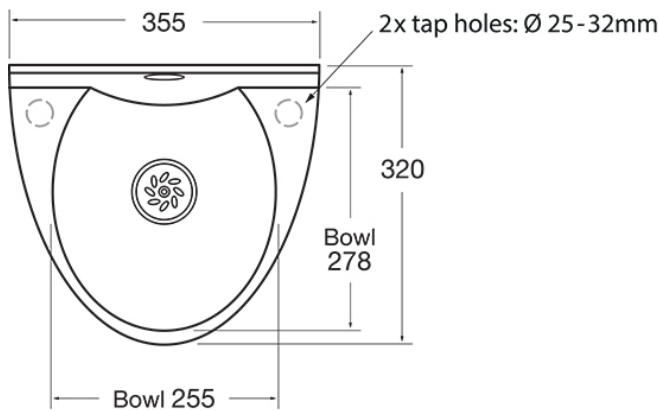
Accreditation: WRAS
Basin Range: WS1
Controls: Hands-Free
Tap Type: Tempomatic 3

FEATURES & BENEFITS

- Range of hygienic hand washing solutions.
- Helps operations meet their requirement to provide hand-washing stations on site.
- Good and safe habits are more easily followed and enforced.
- Engineered from a single-piece, moulded high-grade polycarbonate ABS plastic.
- Strong & durable with no sharp edges.
- Eco-friendly the WS1 can be fully recycled & has lower embedded energy costs than traditional stainless steel basins.
- 90% water saving with a Delabie hands free tap.

TECHNICAL INFO

- Dimensions: O/D: 355 x 320 x 195mm Bowl: 255 x 278 x 110mm deep



Dimensions are in millimeters. If a Cad file is required please visit www.mechline.com.