

MODEL: **BaSix WS1-ML-WHITE**

BASIX



BaSix Hand Wash Station with single 3-inch LEVER tap and manual mixer (WHITE)

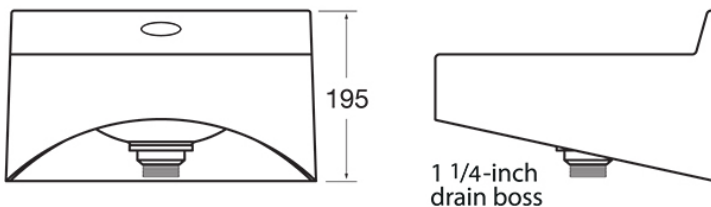
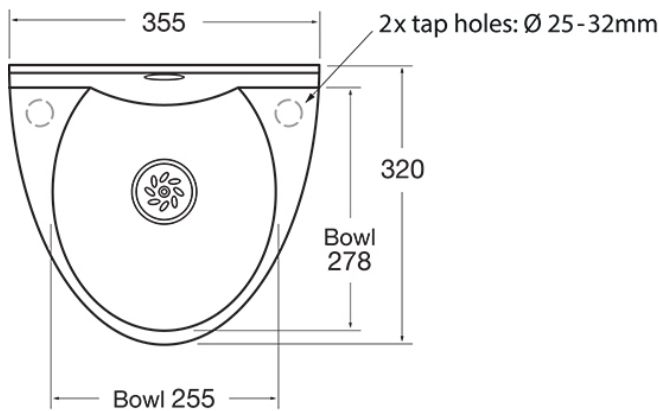
Accreditation: WRAS
Basin Range: WS1
Controls: 3-inch lever

FEATURES & BENEFITS

- Range of hygienic hand washing solutions.
- Helps operations meet their requirement to provide hand-washing stations on site.
- Good and safe habits are more easily followed and enforced.
- Engineered from a single-piece, moulded high-grade polycarbonate ABS plastic.
- Strong & durable with no sharp edges.
- Eco-friendly the WS1 can be fully recycled & has lower embedded energy costs than traditional stainless steel basins.

TECHNICAL INFO

- Dimensions: O/D: 355 x 320 x 195mm Bowl: 255 x 278 x 110mm deep



Dimensions are in millimeters. If a Cad file is required please visit www.mechline.com.