

MODEL:

BaSix WS1-KVS

BASIX



BaSix Hand Wash Station. Knee-operated, Hands-Free operation. Includes knee-valve, swivel spout, M-MX91 manual mixer, water hose and tap hole stopper

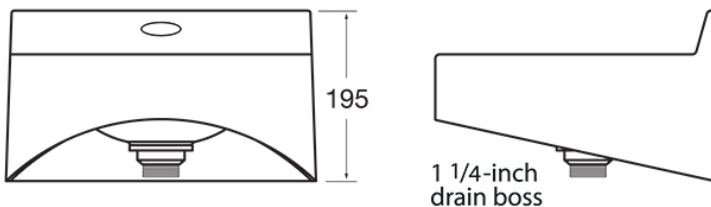
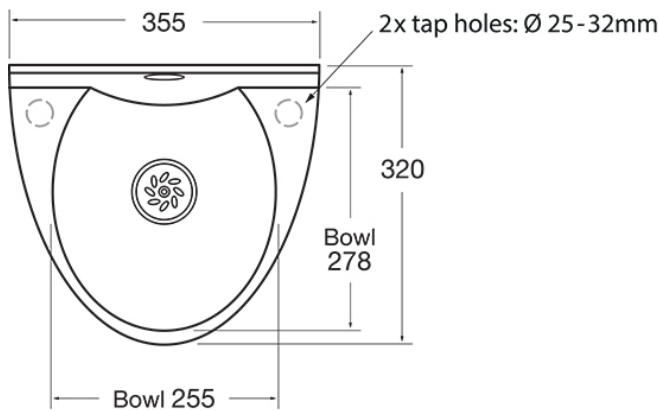
Basin Range: WS1
Controls: Hands-Free

FEATURES & BENEFITS

- Range of hygienic hand washing solutions.
- Auto shut-off valve drastically reducing water usage
- Helps operations meet their requirement to provide hand-washing stations on site.
- Good and safe habits are more easily followed and enforced.
- Engineered from a single-piece, moulded high-grade polycarbonate ABS plastic.
- Strong & durable with no sharp edges.
- Eco-friendly the WS1 can be fully recycled & has lower embedded energy costs than traditional stainless steel basins.
- Optional splashback available

TECHNICAL INFO

- Dimensions: O/D: 355 x 320 x 195mm Bowl: 255 x 278 x 110mm deep
- Basin material: Polycarbonate ABS plastic
- Product weight: 2.34kg
- One and one quarter inch drain waste fitting supplied
- Flow rate at 3 bar of pressure: 9.4 lpm
- Supplied with manual mixing valve for hot & cold supplies with integrally fitted check valves



Dimensions are in millimeters. If a Cad file is required please visit www.mechline.com.