



MODEL:

BaSix BSXJTS700

BASIX



Janitorial Sink. Stainless steel construction (700mm deep) with monobloc mixer tap

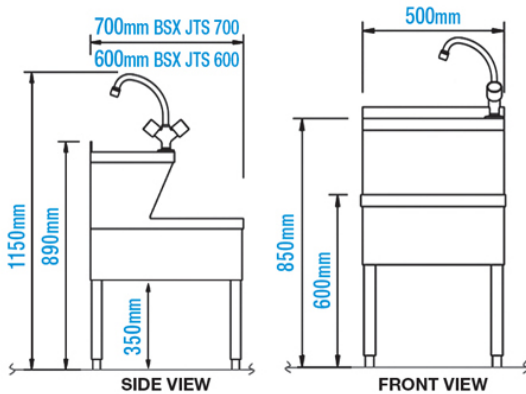
Basin Range: Janitorial Sink
Tap Type: Monobloc Mixer

FEATURES & BENEFITS

- Lift-out (removable) mop strainer.
- Waste fittings (excluding trap).
- Adjustable feet.
- Removable rear legs.
- Bracket supplied for easy installation on coved walls.

TECHNICAL INFO

- Dimensions: Hand-wash bowl: 430 (max) x 280 x 130 deep. Mop bowl: 400 x 400 x 200 deep.



Dimensions are in millimeters. If a Cad file is required please visit www.mechline.com.



MECHLINE DEVELOPMENTS LIMITED

Tel: +44 (0)1908 261511 | Email: info@mechline.com | Web: www.mechline.com