



MODEL:

BaSix BSXJT700-TX-B-212D

# BASIX



Janitorial Sink. Stainless steel construction (700mm deep) with Reg4 certified monobloc mixer tap

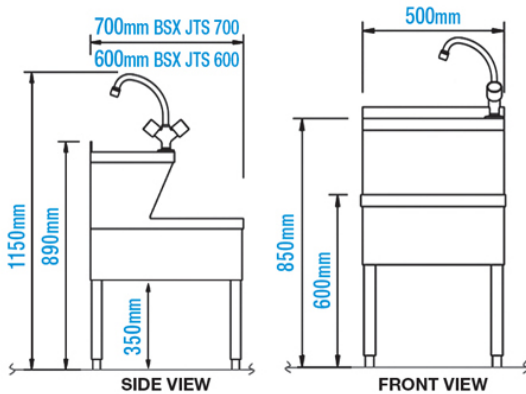
**Accreditation:** Kiwa KUKreg4 1+  
**Basin Range:** Janitorial Sink

### FEATURES & BENEFITS

- Lift-out (removable) mop strainer.
- Waste fittings (excluding trap).
- Adjustable feet.
- Removable rear legs.
- Bracket supplied for easy installation on coved walls.

### TECHNICAL INFO

- Dimensions: Hand-wash bowl: 430 (max) x 280 x 130 deep. Mop bowl: 400 x 400 x 200 deep.



Dimensions are in millimeters. If a Cad file is required please visit [www.mechline.com](http://www.mechline.com).



MECHLINE DEVELOPMENTS LIMITED

Tel: +44 (0)1908 261511 | Email: [info@mechline.com](mailto:info@mechline.com) | Web: [www.mechline.com](http://www.mechline.com)