

MODEL:

**BaSix BSX-400i-T2**

**BASIX**

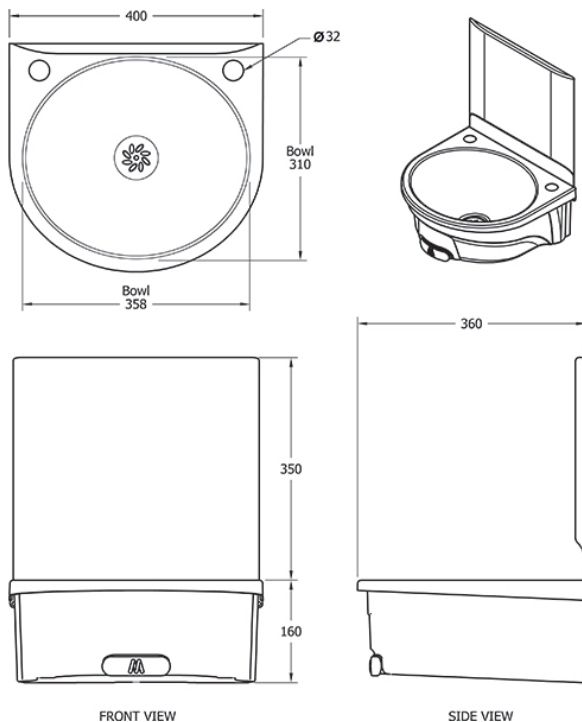


BaSix 400i Hand Wash Station. Soft-touch operated, time flow tap. Includes Delabie Temposoft 2 tap, M-MX91 manual mixer, water hose & tap hole stopper

**Accreditation:** WRAS  
**Basin Range:** BSX-400i  
**Controls:** Soft-touch  
**Tap Type:** Temposoft 2

**FEATURES & BENEFITS**

- WRAS approved across the whole range.
- Curved design ideal for commercial kitchens.
- No sharp corners for kitchen staff to knock into.
- Easy to clean integral flush grated waste reduces the risk of bacterial development.
- Bowl and deck are permanently bonded to the skirt removing the need for exposed bolts and rivets.
- High strength injection moulded skirt removes the possibility of cut hazards created by sharp stainless steel edge.
- Mounting bracket with integral spirit level for fast and easy installation.
- Optional waste bins can be fitted to all models.
- Stylish, functional design.



Dimensions are in millimeters. If a Cad file is required please visit [www.mechline.com](http://www.mechline.com).