

MODEL:

BaSix BSX-400i-KVS-T

BASIX

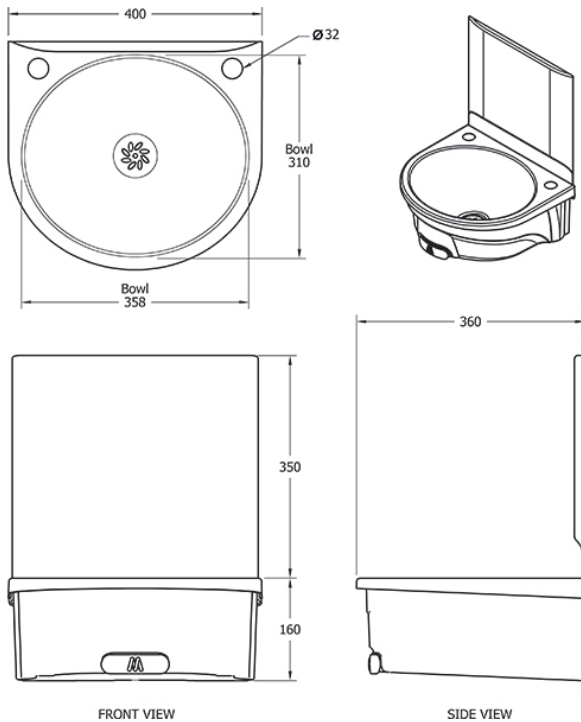


BaSix 400i Hand Wash Station with 'Push-Front', Hands-Free mechanical operation. Includes fixed spout, Premix Nano thermostatic mixer, water hose & tap hole stopper

Accreditation: WRAS
Basin Range: BSX-400i
Controls: Hands-Free
Controls: Hands-free 'Push Front'
Spout: Fixed Spout

FEATURES & BENEFITS

- WRAS approved across the whole range.
- Curved design ideal for commercial kitchens.
- No sharp corners for kitchen staff to knock into.
- Easy to clean integral flush grated waste reduces the risk of bacterial development.
- Auto shut-off valve drastically reducing water usage
- Bowl and deck are permanently bonded to the skirt removing the need for exposed bolts and rivets.
- High strength injection moulded skirt removes the possibility of cut hazards created by sharp stainless steel edge.
- Mounting bracket with integral spirit level for fast and easy installation.
- Optional waste bins can be fitted to all models.
- Stylish, functional design.



Dimensions are in millimeters. If a Cad file is required please visit www.mechline.com.