

MODEL:

BaSix BSX-300-NT4

BASIX



BaSix 300 Hand Wash Station. Battery-Operated, Hands-Free operation. Includes Delabie Tempomatic 4 tap, M-MX91 manual mixer, water hose & tap hole stopper

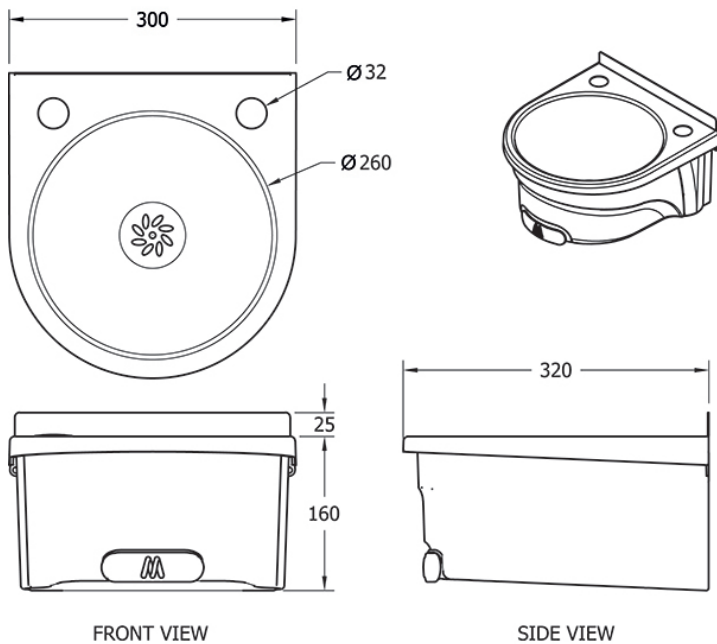
Accreditation: WRAS
Basin Range: BSX-300
Controls: Battery operated
Controls: Hands-Free
Tap Type: Tempomatic 4

FEATURES & BENEFITS

- WRAS approved across the whole range.
- Curved design ideal for commercial kitchens
- No sharp corners for kitchen staff to knock into
- Easy to clean integral flush grated waste reduces the risk of bacterial development
- Bowl and deck are permanently bonded to the skirt removing the need for exposed bolts and rivets
- High strength injection moulded skirt removes the possibility of cut hazards created by sharp stainless steel edge
- Mounting bracket with integral spirit level for fast and easy installation
- Optional splashback and waste bin available
- Stylish, functional design

TECHNICAL INFO

- **MATERIALS** Bowl and Deck: High grade polished 304 Austenitic stainless steel Skirt: High grade, high strength injection moulded ABS-Polycarbonate for the skirt
- **Dimensions:** O/D: 300 x 320 x 160mm Bowl: 260mm dia. X 130mm deep
- **Flow rate:** Flow straightener set at 3 lpm at 3 bar.
- **WRAS COMPONENT PARTS:** MX91 Blender - 1606019



Dimensions are in millimeters. If a Cad file is required please visit www.mechline.com.