



MODEL:

AquaTechnix TX-W-416L

AQUATECHNIX



AquaTechnix LEVER operated faucet TX-W-40 base with 400mm swivel spout. H 247mm

Accreditation: Kiwa KUKreg4 1+

Tap Hole Centres: 180mm

Base: TX-W-40

Connection(s): ½-inch

Controls: Lever

Model Range: TX-40

Mount: Panel mounted

Pedestal: Twin Hole

Spout: 400mm swivel

Tap Type: Twin Mixer

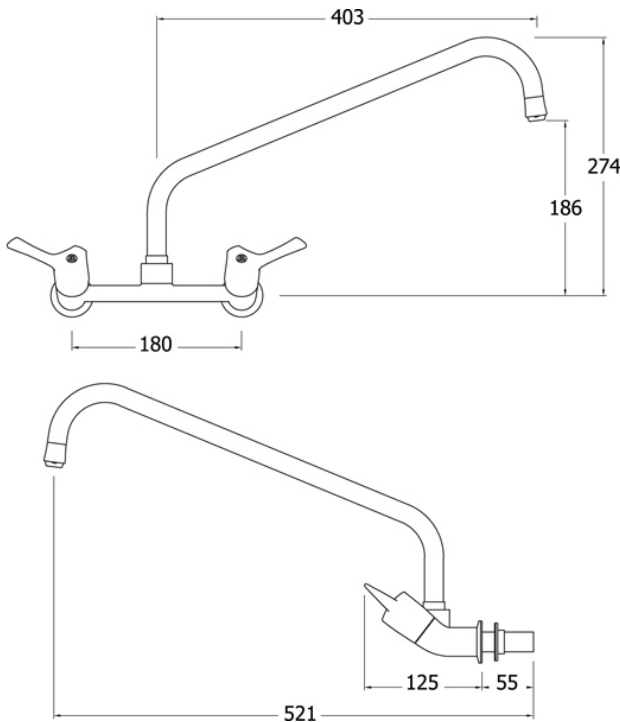
Water Feed: Twin

FEATURES & BENEFITS

- Ergonomic in design and functionality.
- Modern, hygienic and practical design comes pre-assembled ready to install.
- All assembled models are factory tested up to 6 bar for quality assurance.
- Complete interchangeability between all bodies, spouts and pre-rinses means that product use can easily be changed on site at a later date.
- Includes PosiStop protected lever and dome heads for long life and reliability for all models

TECHNICAL INFO

- Connections: ½-inch. 30mm maximum wall/panel thickness
- Height: 274mm
- Recommended static water pressure range: 1.5 - 5 bar
- Flow rates for all TX-W-40 models - tested at 3 bar pressure:
Fitted with WATER-SAVING diffuser: 3.70 l/m (INCLUDED) Fitted with STANDARD diffuser: 9.55 l/m



Dimensions are in millimeters. If a Cad file is required please visit www.mechline.com.



MECHLINE DEVELOPMENTS LIMITED

Tel: +44 (0)1908 261511 | Email: info@mechline.com | Web: www.mechline.com