



MODEL:

AquaTechnix TX-W-408DF

AQUATECHNIX

AquaTechnix DOME head operated faucet TX-W-40 base with 200mm low profile swivel spout. H 118mm

Accreditation: Kiwa KUKreg4 1+

Tap Hole Centres: 180mm

Base: TX-W-40

Connection(s): ½-inch

Controls: Dome

Model Range: TX-40

Mount: Panel mounted

Pedestal: Twin Hole

Spout: 200mm low profile

Tap Type: Twin Mixer

Water Feed: Twin

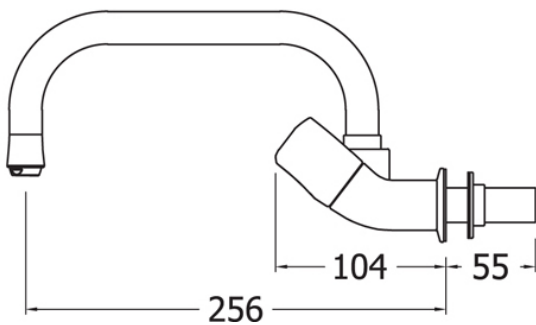
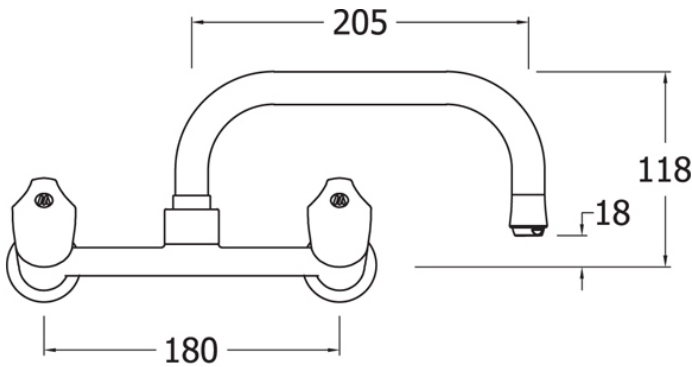


FEATURES & BENEFITS

- Ergonomic in design and functionality.
- Modern, hygienic and practical design comes pre-assembled ready to install.
- All assembled models are factory tested up to 6 bar for quality assurance.
- Includes PosiStop protected lever and dome heads for long life and reliability for all models
- Water saving diffuser included as standard

TECHNICAL INFO

- Connection(s): ½-inch BSP male
- Height: 118mm
- Hole cut out requirement: 2x 22-27mm 180mm centres. Max panel/wall thickness 30mm
- Product material: nickel plated brass
- Product weight: 1.42kg
- Recommended working pressure: 1.5 - 5 bar
- Flow rates: standard diffuser 9.55 lpm water saving diffuser 3.7 lpm tested at 3 bar pressure
- Certified to KUK Reg4 1+ by Kiwa
- Max recommended temperature 60°C



Dimensions are in millimeters. If a Cad file is required please visit www.mechline.com.



MECHLINE DEVELOPMENTS LIMITED

Tel: +44 (0)1908 261511 | Email: info@mechline.com | Web: www.mechline.com