



MODEL:

**AquaTechnix TX-W-15DJ18D**

# AQUATECHNIX



AquaTechnix DOME head operated faucet TX-W-15 base with 450mm double jointed spout. H: 376mm

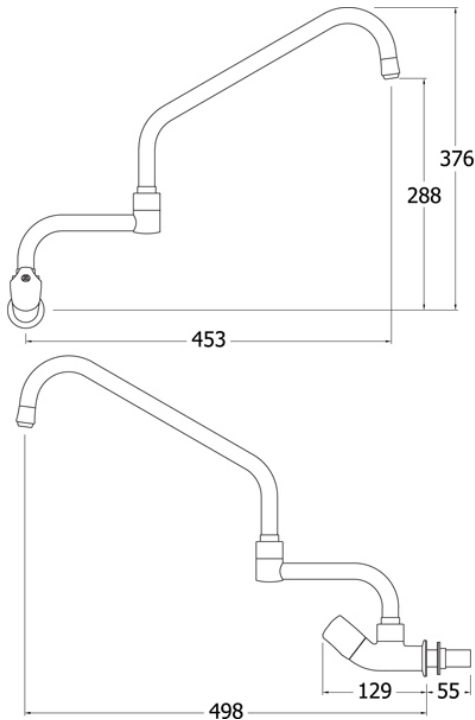
- Accreditation:** Kiwa KUKreg4 1+
- Base:** TX-W-15
- Connection(s):** ½-inch
- Controls:** Dome
- Model Range:** TX-15
- Mount:** Panel mounted
- Pedestal:** Single Hole
- Spout:** 450mm double jointed
- Tap Type:** Monobloc
- Water Feed:** Single Monobloc

### FEATURES & BENEFITS

- Ergonomic in design and functionality.
- Modern, hygienic and practical design comes pre-assembled ready to install.
- All assembled models are factory tested up to 6 bar for quality assurance.
- Includes PosiStop protected lever and dome heads for long life and reliability for all models
- Water saving diffuser included as standard

### TECHNICAL INFO

- Connection(s): ½-inch BSP male
- Height: 376mm
- Hole cut out requirement: 22-27mm. Max panel/wall thickness 30mm
- Product material: nickel plated brass
- Product weight: 1.12kg
- Recommended working pressure: 1.5 - 5 bar
- Flow rates: standard diffuser 10.31 lpm water saving diffuser 3.7 lpm tested at 3 bar pressure
- Certified to KUK Reg4 1+ by Kiwa
- Max recommended temperature 60°C



Dimensions are in millimeters. If a Cad file is required please visit [www.mechline.com](http://www.mechline.com).



MECHLINE DEVELOPMENTS LIMITED

Tel: +44 (0)1908 261511 | Email: [info@mechline.com](mailto:info@mechline.com) | Web: [www.mechline.com](http://www.mechline.com)