



MODEL: AquaTechnix TX-PR-40L-ST-BF0

AQUATECHNIX



AquaTechnix Pre-Rinse Spray. LEVER operated TX-PR-40L base / STANDARD height / No bowl filler H: 1010mm

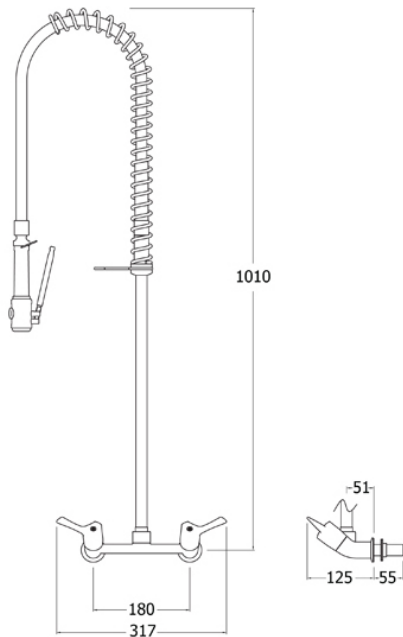
- Accreditation:** Kiwa KUKreg4 1+
- Tap Hole Centres:** 180mm
- Base:** TX-PR-40L
- Bowl Filler:** No bowl filler (BF0)
- Connection(s):** ½-inch
- Controls:** Lever
- Height:** Standard
- Model Range:** TX-40
- Mount:** Panel mounted
- Pedestal:** Twin
- Water Feed:** Twin Monobloc

FEATURES & BENEFITS

- Ergonomic in design and functionality.
- Modern, hygienic and practical design comes pre-assembled ready to install.
- All assembled models are factory tested up to 6 bar for quality assurance.
- Complete interchangeability between all bodies, spouts and pre-rinses means that product use can easily be changed on site at a later date.
- Includes PosiStop protected lever and dome heads for long life and reliability for all models and Brass Back Nuts
- Choice of height and bowl filler available

TECHNICAL INFO

- Connections: ½-inch. 30mm maximum panel thickness
- Height: 1010mm
- Recommended static water pressure range: 1.5 - 5 bar
- Flow rates for all TX-PR-40 models - tested at 3 bar pressure:
 SPRAY GUN WATER-SAVING face plate: 4.52 l/m. SPRAY GUN STANDARD face plate: 10.33 l/m. BOWL FILLER WATER-SAVING diffuser: 3.70 l/m. BOWL FILLER STANDARD diffuser: 9.55 l/m. Water-saving diffuser for bowl filler included.



Dimensions are in millimeters. If a Cad file is required please visit www.mechline.com.



MECHLINE DEVELOPMENTS LIMITED

Tel: +44 (0)1908 261511 | Email: info@mechline.com | Web: www.mechline.com