



MODEL: AquaTechnix TX-PR-40D-SS-BF0

# AQUATECHNIX



AquaTechnix Pre-Rinse Spray. DOME head operated TX-PR-40D base / SUPER SHORT height / No bowl filler H: 533mm

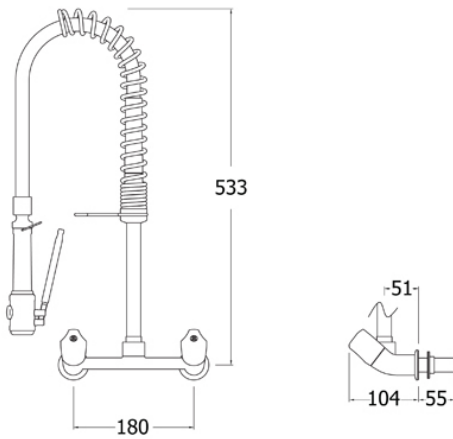
**Accreditation:** Kiwa KUKreg4 1+  
**Tap Hole Centres:** 180mm  
**Base:** TX-PR-40D  
**Bowl Filler:** No bowl filler (BF0)  
**Connection(s):** ½-inch  
**Controls:** Dome  
**Height:** Super Short  
**Model Range:** TX-40  
**Mount:** Panel mounted  
**Pedestal:** Twin  
**Water Feed:** Twin Monobloc

### FEATURES & BENEFITS

- Ergonomic in design and functionality.
- Modern, hygienic and practical design comes pre-assembled ready to install.
- All assembled models are factory tested up to 6 bar for quality assurance.
- Complete interchangeability between all bodies, spouts and pre-rinses means that product use can easily be changed on site at a later date.
- Includes PosiStop protected lever and dome heads for long life and reliability for all models and Brass Back Nuts
- Choice of height and bowl filler available

### TECHNICAL INFO

- Connection: ½-inch BSP male thread 180mm centres
- 30mm maximum panel thickness
- Hole cut out requirement 25-28mm x2 180mm centres
- Height: 533mm
- Product weight: 3.26kg
- Recommended dynamic water pressure range: 1.5 - 5 bar. Max hot water temperature 60°C
- Flow rates for all TX-PR-40 models - tested at 3 bar pressure:  
SPRAY GUN WATER-SAVING face plate: 4.52 l/m. SPRAY GUN STANDARD face plate: 10.33 l/m. BOWL FILLER WATER-SAVING diffuser: 3.70 l/m. BOWL FILLER STANDARD diffuser: 9.55 l/m. Water-saving diffuser for bowl filler included.
- 2 year parts warranty
- Certified to KUK Reg4 1+ by Kiwa
- If this tap or combination tap is installed so that its base is no lower than the spillover level of the receiving vessel (for example, a sink or washbasin), a Type AUK3 air gap is achieved which permits installation of the tap in any premises where backflow protection up to Fluid Category 5 is required at the tap.



Dimensions are in millimeters. If a Cad file is required please visit [www.mechline.com](http://www.mechline.com).



MECHLINE DEVELOPMENTS LIMITED

Tel: +44 (0)1908 261511 | Email: [info@mechline.com](mailto:info@mechline.com) | Web: [www.mechline.com](http://www.mechline.com)