



MODEL: **AquaTechnix TX-PR-30L-SS-BF2-E  
(150mm centres)**

# AQUATECHNIX



AquaTechnix Pre-Rinse Spray (150mm centre). LEVER operated TX-PR-30L base / SUPER SHORT height / BF2 bowl filler H: 658mm

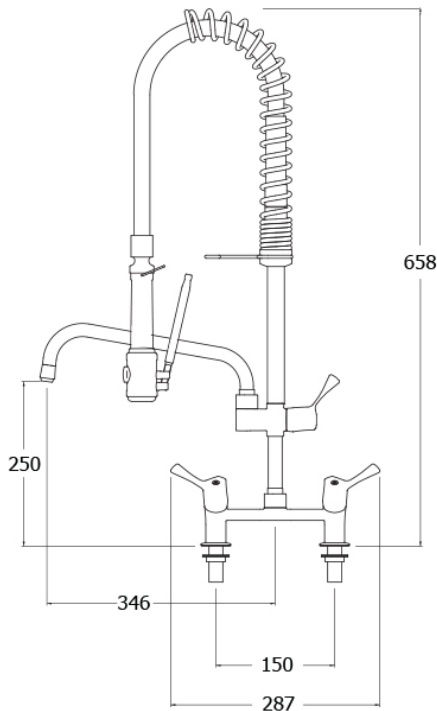
- Accreditation:** Kiwa KUKreg4 1+
- Tap Hole Centres:** 150mm
- Base:** TX-PR-30L
- Bowl Filler:** 300mm bowl filler (BF2)
- Controls:** Lever
- Height:** Super Short
- Mount:** Deck mounted
- Pedestal:** Twin
- Water Feed:** Twin
- Connection(s):** ½-inch

### FEATURES & BENEFITS

- Ergonomic in design and functionality
- Modern, hygienic and practical design comes pre-assembled ready to install
- All assembled models are factory tested up to 6 bar for quality assurance
- Complete interchangeability between all bodies, spouts and pre-rinses means that product use can easily be changed on site at a later date
- Includes PosiStop protected lever and dome heads for long life and reliability for all models and Brass Back Nuts
- Choice of height and bowl filler available

### TECHNICAL INFO

- Connections: ½-inch
- Height: 658mm
- Recommended static water pressure range: 1.5 - 5 bar
- Flow rates for all TX-PR-30 models - tested at 3 bar pressure:  
 SPRAY GUN WATER-SAVING face plate: 4.52 l/m. SPRAY GUN STANDARD face plate: 7.84 l/m. BOWL FILLER WATER-SAVING diffuser: 3.74 l/m. BOWL FILLER STANDARD diffuser: 9.33 l/m.  
 Water-saving diffuser for bowl filler included.



Dimensions are in millimeters. If a Cad file is required please visit [www.mechline.com](http://www.mechline.com).



MECHLINE DEVELOPMENTS LIMITED

Tel: +44 (0)1908 261511 | Email: [info@mechline.com](mailto:info@mechline.com) | Web: [www.mechline.com](http://www.mechline.com)