



MODEL: AquaTechnix TX-PR-15D-SS-BF0

AQUATECHNIX



AquaTechnix Pre-Rinse Spray. DOME head operated TX-PR-15D base / SUPER SHORT height / No bowl filler H: 541mm

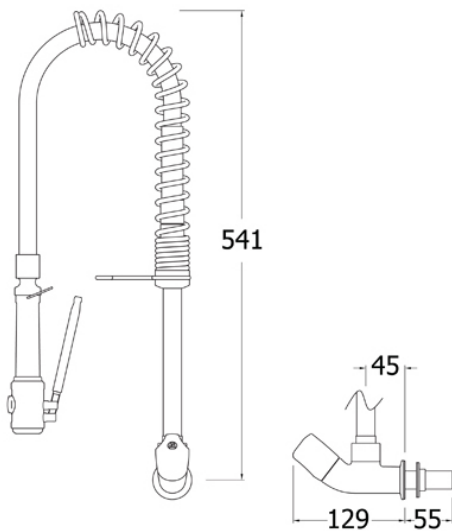
- Accreditation:** Kiwa KUKreg4 1+
- Base:** TX-PR-15D
- Bowl Filler:** No bowl filler (BF0)
- Connection(s):** 1/2-inch
- Controls:** Dome
- Height:** Super Short
- Model Range:** TX-15
- Mount:** Panel mounted
- Pedestal:** Single
- Water Feed:** Single Monobloc

FEATURES & BENEFITS

- Ergonomic in design and functionality.
- Modern, hygienic and practical design comes pre-assembled ready to install.
- All assembled models are factory tested up to 6 bar for quality assurance.
- Complete interchangeability between all bodies, spouts and pre-rinses means that product use can easily be changed on site at a later date.
- Includes PosiStop protected lever and dome heads for long life and reliability for all models and Brass Back Nuts
- Choice of height and bowl filler available

TECHNICAL INFO

- Connection: 1/2-inch BSP male thread
- 30mm maximum panel thickness
- Hole cut out requirement 25-28mm
- Height: 541mm
- Product weight: 2.59kg
- Recommended dynamic water pressure range: 1.5 - 5 bar. Max hot water temperature 60°C
- Flow rates for all TX-PR-15 models - tested at 3 bar pressure: SPRAY GUN WATER-SAVING face plate: 4.11 l/m. SPRAY GUN STANDARD face plate: 10.84 l/m. BOWL FILLER WATER-SAVING diffuser: 3.71 l/m. BOWL FILLER STANDARD diffuser: 10.31 l/m. Water-saving diffuser for bowl filler included.
- 2 year parts warranty
- Certified to KUK Reg4 1+ by Kiwa
- If this tap or combination tap is installed so that its base is no lower than the spillover level of the receiving vessel (for example, a sink or washbasin), a Type AUK3 air gap is achieved which permits installation of the tap in any premises where backflow protection up to Fluid Category 5 is required at the tap.



Dimensions are in millimeters. If a Cad file is required please visit www.mechline.com.



MECHLINE DEVELOPMENTS LIMITED
Tel: +44 (0)1908 261511 | Email: info@mechline.com | Web: www.mechline.com